

PARTS LIST

GASOLINE HEDGETRIMMER

PH2500

Art# 030232



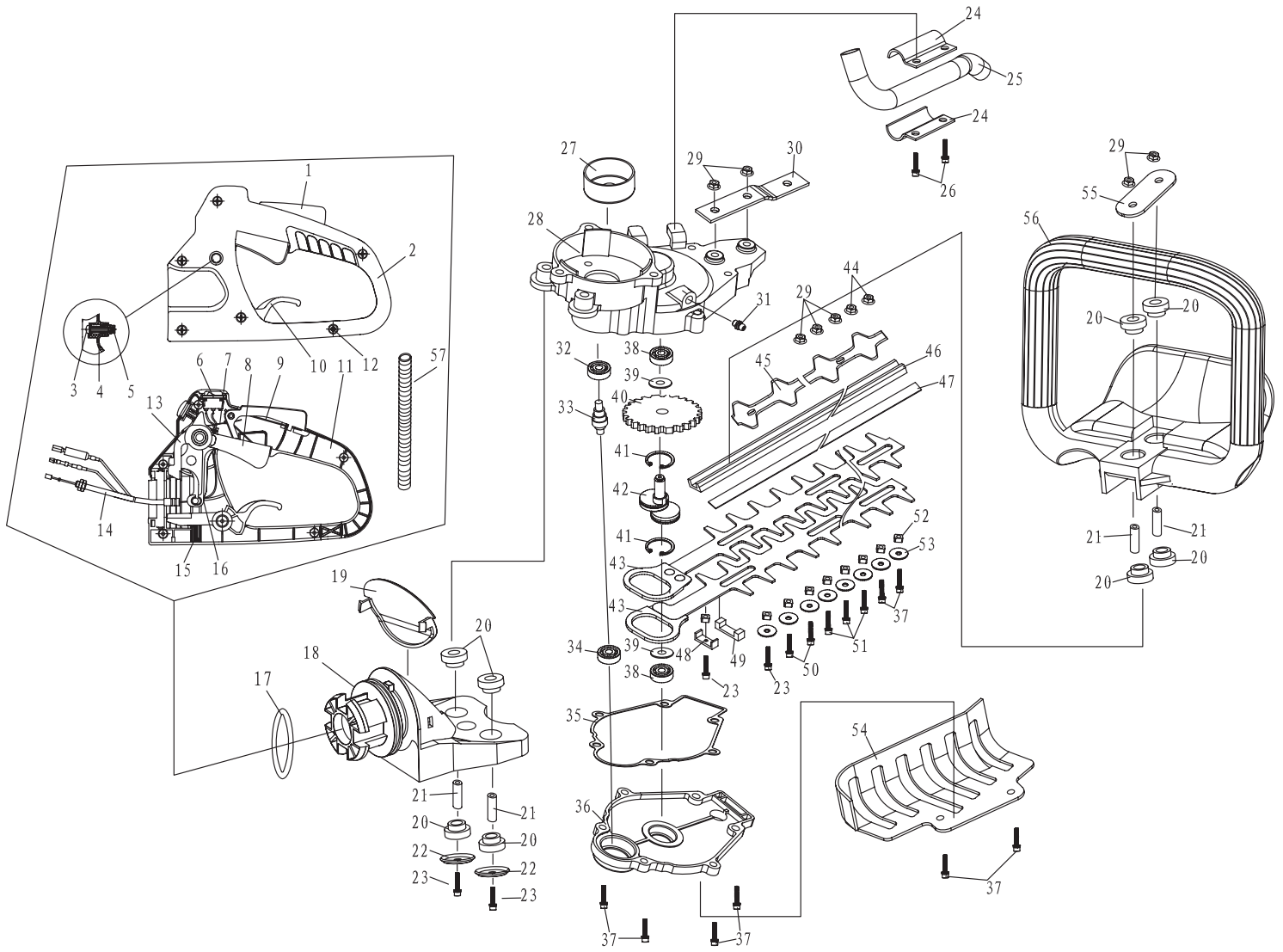
Use only NAKAYAMA genuine parts as specified in the parts list for repair or replacement.
Check if your machine meets the applicable models listed bellow.
The contents described in the parts list may change due to improvement.



APPLICABLE:

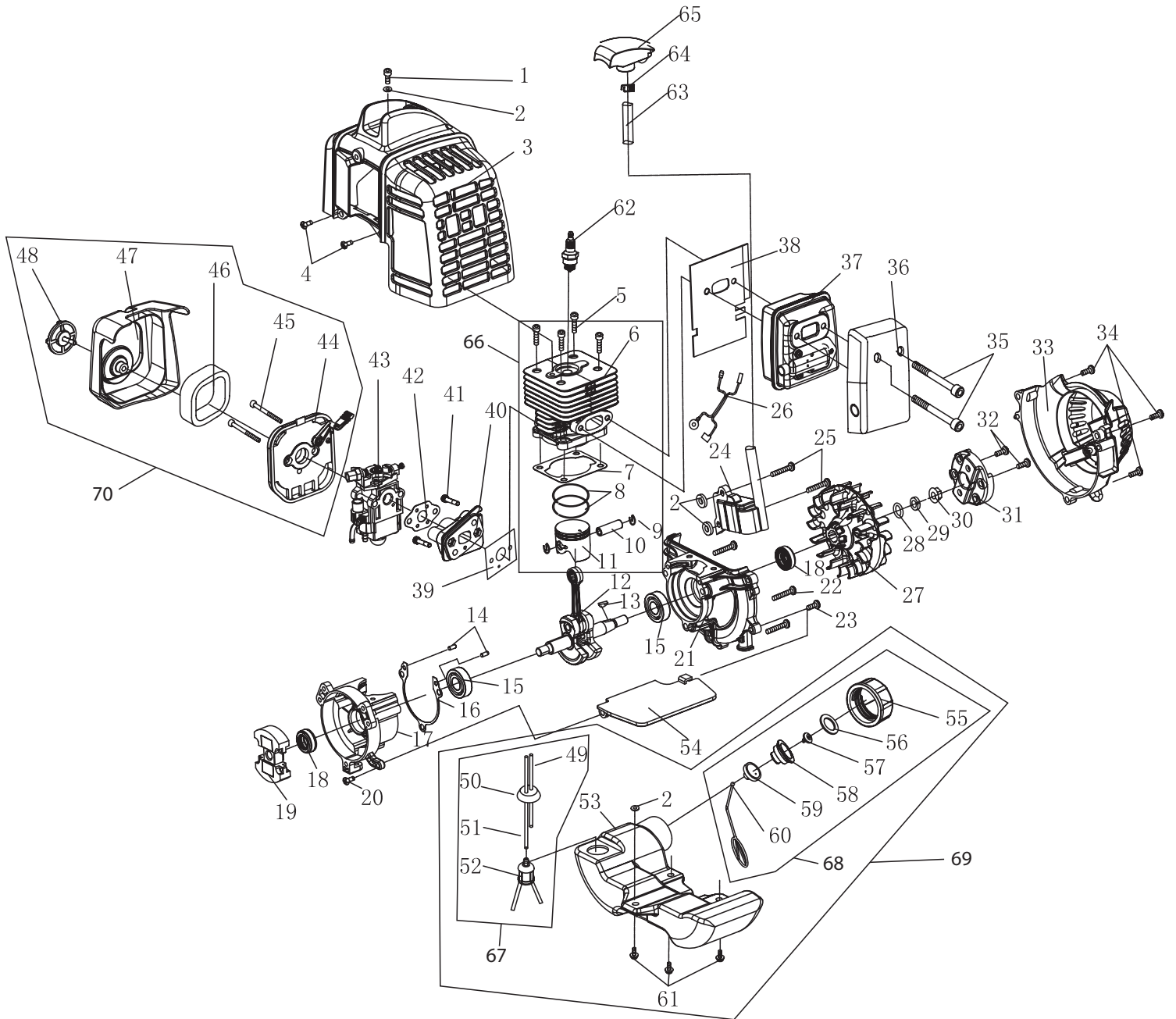
June 2020

PH2500 Fig.1



No#	Code	Description (EN)	QTY	Notes
1	0302321001	Handgrip	1	
2	0302321002	Handle, left	1	
3	0302321003	Screw M4 x 25	1	
4	0302321004	Spring	1	
5	0302321005	Lever, lock	1	
6	0302321006	Switch	1	
7	0302321007	Spring	1	
8	0302321008	Lever, throttle	1	
9	0302321009	Spring	1	
10	0302321010	Lever, gyral	1	
11	0302321011	Handle, right	1	
12	0302321012	Screw ST4. 2 x16	6	
13	0302321013	Lever	1	
14	0302321014	Cable comp.	1	
15	0302321015	Spring	1	
16	0302321016	Spring	1	
17	0302321017	Seal 48. 7xMT	1	
18	0302321018	Frame	1	
19	0302321019	Frame Lid	1	
20	0302321020	Gasket	8	
21	0302321021	Pin □	4	
22	0302321022	Cushion	2	
23	0302321023	Screw M5 x 35	4	
24	0302321024	Washer	2	
25	0302321025	Pipe,exhaust	1	
26	0302321026	Screw M5 x10	2	
27	0302321027	Clutch Drum Comp.	1	
28	0302321028	Wheel Box	1	
29	0302321029	Nut M5	7	
30	0302321030	Gasket	1	
31	0302321031	Fuel Cup M6	1	
32	0302321032	Bearing 6001-2RS/P6	1	
33	0302321033	Gear Shaft	1	
34	0302321034	Bearing 628/P6	1	
35	0302321035	Gasket	1	
36	0302321036	Case Cover	1	
37	0302321037	Screw M5 x 20	8	
38	0302321038	Bearing 626/P6	2	
39	0302321039	Cushion	2	
40	0302321040	Gear	1	
41	0302321041	Stop Ring 28	2	
42	0302321042	Cam Shaft	1	
43	0302321043	Blade Riveting	2	
44	0302321044	Nut M5	2	
45	0302321045	Blade guard	1	
46	0302321046	Plate, upper	1	
47	0302321047	Cushion	1	
48	0302321048	Bracket	1	
49	0302321049	Felt	1	
50	0302321050	Screw M5 x 50	2	
51	0302321051	Screw M5 x25	3	
52	0302321052	Spacer	9	
53	0302321053	Washer 5	8	
54	0302321054	Cover	1	
55	0302321055	Cushion	1	
56	0302321056	Handle Front	1	
57	0302321057	Tube	0.2	
58	0302321058	Handle assy	1	

PH2500 Fig.2



PH2500 Fig. 2

No#	Code	Description (EN)	QTY	Notes
1	0302322001	SCREW M5*18	1	
2	0302322002	GASKET	4	
3	0302322003	GUIDE COVER	1	
4	0302322004	SCREW M5*12	2	
5	0302322005	SCREW M5*16	4	
6	0302322006	CYLINDER	1	
7	0302322007	GASKET	1	
8	0302322008	PISTON RING	2	
9	0302322009	PISTON PIN CIRCLIP	2	
10	0302322010	CARBURETOR	1	
11	0302322011	PISTON	1	
12	0302322012	CRANK SHAFT COMP.	1	
13	0302322013	KEY	1	
14	0302322014	PIN B4*8	2	
15	0302322015	BEARING 6001-P6	2	
16	0302322016	CRANK CASE GASKET	1	
17	0302322017	FRONT HALF CRANK CASE	1	
18	0302322018	OIL SEAL	2	
19	0302322019	CLUTCH	1	
20	0302322020	SCREW M5*12	1	
21	0302322021	REAR HALF CRANK CASE	1	
22	0302322022	SCREW M5*20	3	
23	0302322023	SCREW M5*12	1	
24	0302322024	IGNITION COIL COMP.	1	
25	0302322025	SCREW M4*20	2	
26	0302322026	Wire lead assy	1	
27	0302322027	FLY WHEEL	1	
28	0302322028	WASHER 8	1	
29	0302322029	WASHER 8	1	
30	0302322030	NUT 8	1	
31	0302322031	START REEL	1	
32	0302322032	SCREW M6*16	2	
33	0302322033	STARTER COMP.	1	
34	0302322034	SCREW 5*18	3	
35	0302322035	SCREW 5*55-12.9	2	
36	0302322036	MUFFLER COVER	1	
37	0302322037	MUFFLER	1	
38	0302322038	MUFFLER GASKET	1	
39	0302322039	GASKET	1	
40	0302322040	ADMITTING PIPE	1	
41	0302322041	SCREW 5*30	2	
42	0302322042	GASKET	1	
43	0302322043	CARBURETOR	1	
44	0302322044	INSIDE COVER	1	
45	0302322045	SCREW 5*55	2	
46	0302322046	FILTER NET	1	
47	0302322047	OUTSIDE COVER	1	
48	0302322048	SCREW	1	
49	0302322049	FUEL PIPE 90mm	1	
50	0302322050	FUEL PIPE PLUG	1	
51	0302322051	FUEL PIPE 160mm	1	
52	0302322052	CLEANER COVER	1	
53	0302322053	FUEL TANK	1	
54	0302322054	GASKET	1	
55	0302322055	FUEL TANK LID	1	
56	0302322056	GASKET	1	
57	0302322057	INLET	1	
58	0302322058	INSIDE LID	1	
59	0302322059	INSIDE LID	1	

No#	Code	Description (EN)	QTY	Notes
60	0302322060	CHAIN	1	
61	0302322061	SCREW M5*16	3	
62	0302322062	PLUG	1	
63	0302322063	□ 6*70 PIPE	1	
64	0302322064	SPRING	1	
65	0302322065	CAP	1	
66	0302322066	CYLINDER-PISTON ASSY	1	
67	0302322067	FUEL PIPE ASSY	1	
68	0302322068	FUEL CAP ASSY	1	
69	0302322069	FUEL TANK ASSY	1	
70	0302322070	AIR FILTER ASSY	1	