

BORMANN®

PRO

Built to last.



BAT5000 – BAT5010 – BAT5020

030775

030782

030799

BAT5030 – BAT5040

030805

030812

EN FR

IT EL

BG SL

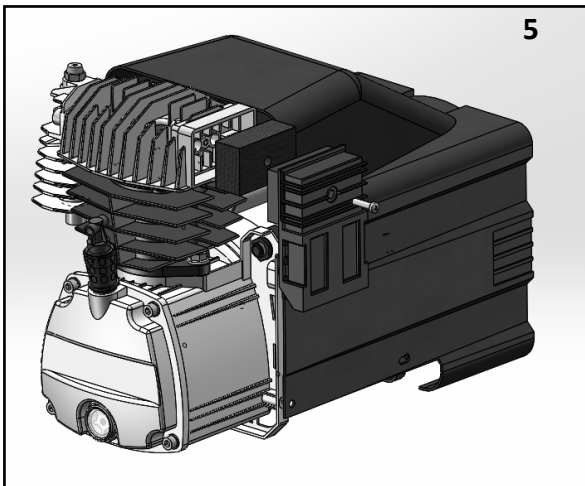
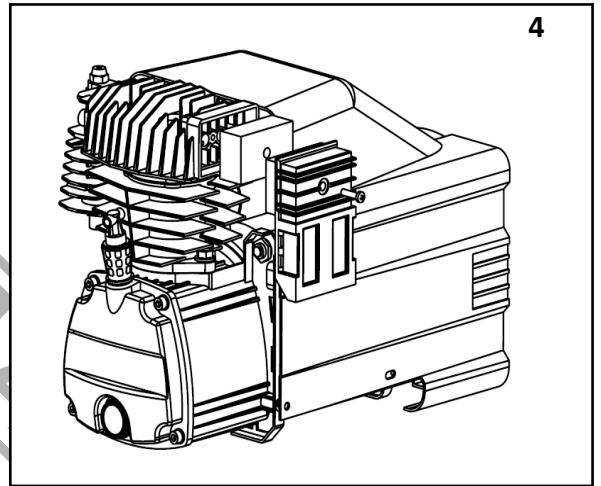
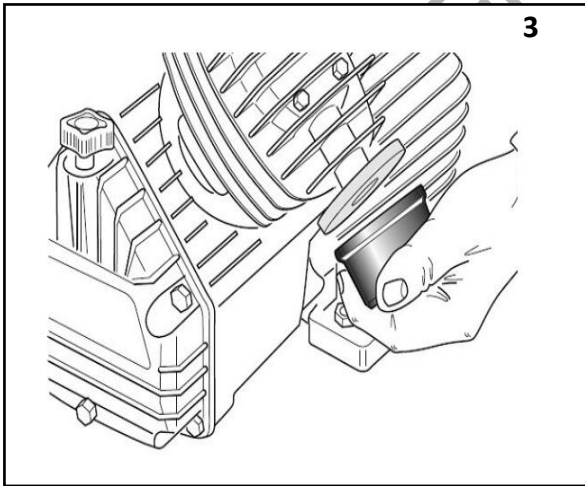
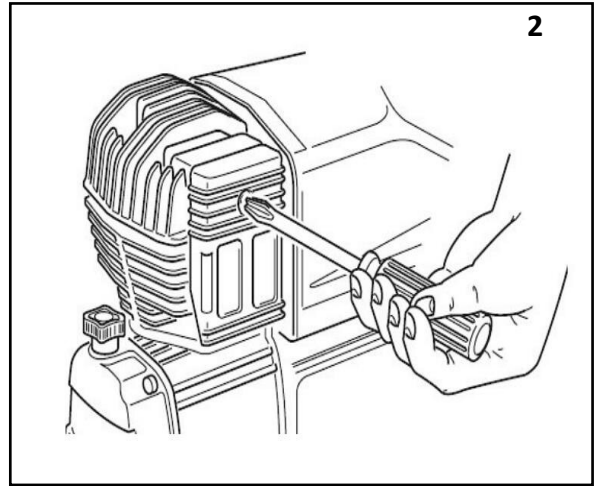
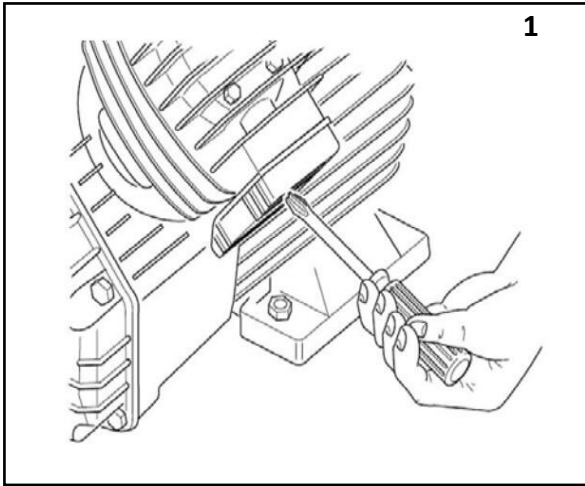
RO

v2.2



WWW.NIKOLAOUTOOLS.GR





Safety instructions

Please read these instructions carefully before attempting to assemble, install, operate or maintain the product described. Protect yourself and other people by observing all safety information. Failure to comply with instructions could result in personal injury and/or property damage! Retain instructions for future reference.

Unpacking

Before and after unpacking the package, inspect carefully for any damage that may have occurred during transit. Make sure fittings, bolts are tight before putting compressor into service.

WARNING! Do not operate compressor if it have been damaged during shipping, handling or use. These damages may result in bursting and cause injury or property damage.

DANGER! Breathable Air Warning

This compressor does not have the necessary equipment and should not be used "as is" to supply air intended for breathing. For any application in which air is supplied for human consumption, the air compressor must be fitted with the appropriate safety equipment. This additional equipment shall be capable of filtering and purifying the air to meet the requirements of the relevant regulations.

General safety information

Since the air compressor and other components (material pump, spray guns, filters, hoses, etc.) used make up a high pressure pumping system, the following safety precautions must be observed at all times:

1. Read all manuals included with this product carefully. Be thoroughly familiar with the controls and the proper use of the equipment. Follow all local electrical and safety codes. Only persons well acquainted with these rules of safe operation should be allowed to use the compressor.
2. Keep visitors away and NEVER allow children in the work area.
3. Wear safety glasses and use hearing protection when operating the pump or unit.
4. Do not stand on or use the pump or unit as a handhold.
5. Before each use, inspect compressed air system and electrical components for signs of damage, deterioration, weakness or leakage.
6. Repair or replace defective items before using.
7. Check all fasteners at frequent intervals for proper tightness.
8. **WARNING!** Motors, electrical equipment and controls can cause electrical arcs that will ignite a flammable gas or vapor. Never operate or repair in or near a flammable gas or vapor. Never store flammable liquids or gases in the vicinity of the compressor.
9. **CAUTION!** Compressor parts may be hot even if the unit is stopped.
10. Keep fingers away from a running compressor, fast moving and hot parts will cause injury and/or burns.
11. If the equipment starts to abnormally vibrate, STOP the engine/motor and check immediately for the cause, vibration is generally a warning of trouble.
12. To reduce fire hazard, keep engine/motor exterior free of oil, solvent, or excessive grease.
13. **WARNING!** Never remove or attempt to adjust safety valve. Keep safety valve free from paint and other accumulations.
14. **DANGER!** Never attempt to repair or modify a tank! Welding, drilling or any other modification will weaken the tank resulting in damage from rupture or explosion. Always replace worn or damaged tanks.
15. **WARNING!** Drain liquid from tank daily. Tanks rust from moisture build-up, which weakens the tank. Make sure to drain tank regularly and inspect periodically for unsafe conditions such as rust formation and corrosion.
16. Fast moving air will stir up dust and debris, which may be harmful. Release air slowly when draining moisture or de-pressurizing the compressor system.

Spraying precautions

WARNING! Do not spray flammable materials in vicinity of open flame or near ignition sources including the compressor unit.

17. Do not smoke when spraying paint, insecticides, or other flammable substances.
18. Use a face mask/respirator when spraying and spray in a well ventilated area to prevent health and fire hazards. ☹
19. Do not direct paint or spray other sprayed material at the compressor. Locate compressor as far away from the spraying area as possible to minimize the build-up of spray material in the compressor.
20. To reduce fire hazard, Locate compressor far away wood cutter to avoid sawdust be sucked into motor.
21. When spraying or cleaning with solvents or toxic chemicals, follow the instructions provided by the chemical manufacturer.

Other Important Safety Notes

WARNING! For safety reasons, the machine is delivered with the filter disassembled.

Connect the filter to the machine before operating it according to the diagram and instructions on page 2.

1. Before starting the machine, take off the plastic cover on the machine head and install the air filter and breather
2. The machine can be started only when the lubricating oil meets the requirements and the oil level is on the right level of oil window.
3. The machine cannot be operated when the voltage is too high or too low ($\pm 5\%$ is allowed).
4. When there is pressure in the air receiver, do not loosen any parts of the machine.
5. Do not casually adjust the safety valve.
6. Do not take off the power plug to stop the machine.
7. If the gas cannot be exhausted when the machine stops working, the problem should be checked out.
8. The electricity should be cut of when the machine stops working.

Technical Data					
Model:	BAT5000	BAT5010	BAT5020	BAT5030	BAT5040
Tank Capacity:	24 L	50L	24 L	50L	100L
Input Voltage ~ Frequency:	230V 50Hz	230V 50Hz	230V 50Hz	230V 50Hz	230V 50Hz
Motor Output:	2HP	2HP	2.5HP	2.5HP	3HP
Pump:	Single Cylinder 2850rpm	Single Cylinder 2850rpm	Single Cylinder 2900rpm	Single Cylinder 2900rpm	Single Cylinder 2850rpm
Air Displacement:	6.6cfm (188 L/min)	6.6cfm (188 L/min)	8.4cfm (239 L/min)	8.4cfm (239 L/min)	14.6cfm (412 L/min)
Maximum Pressure:	8bar (116psi)	8bar (116psi)	10bar (145psi)	10bar (145psi)	10bar (145psi)
Lubrication:	SAE30 or SAE 20W-50	SAE30 or SAE 20W-50	SAE30 or SAE 20W-50	SAE30 or SAE 20W-50	SAE30 or SAE 20W-50
Weight:	NW: 24kg / GW: 26kg	NW: 30kg / GW: 35kg	NW: 28kg / GW: 30kg	NW: 34kg / GW: 37kg	NW: 56kg / GW: 61kg

* The manufacturer reserves the right to make minor changes to product design and technical specifications without prior notice unless these changes significantly affect the performance and safety of the products. The parts described / illustrated in the pages of the manual that you hold in your hands may also concern other models of the manufacturer's product line with similar features and may not be included in the product you just acquired.

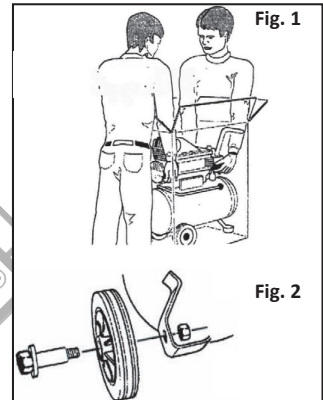
* To ensure the safety and reliability of the product and the warranty validity, all repair, inspection, repair or replacement work, including maintenance and special adjustments, must only be carried out by technicians of the authorized service department of the manufacturer.

* Always use the product with the supplied equipment. Operation of the product with non-provided equipment may cause malfunctions or even serious injury or death. The manufacturer and the importer shall not be liable for injuries and damages resulting from the use of non-conforming equipment.

Unpacking and assembly (Fig.1 - Fig.2)

Remove compressor from packaging (Fig.1). Carefully inspect the equipment for any missing items or damage caused during transit. If anything is found to be missing or damaged, contact an authorized service point. We recommend that you store the packaging for the duration of the warranty period. If necessary, it will be easier to return the compressor to the service centre.

Fit the wheels (See Fig.2) and front feet. Confirm that the mains voltage corresponds with the voltage shown on the compressor's data/specification plate.



Before first use

Check oil Level

Before using the compressor check the oil level using the dipstick. If the oil is not up to the mark it should be topped up with compressor oil (see Fig.3).

Sight glass / Oil Level:

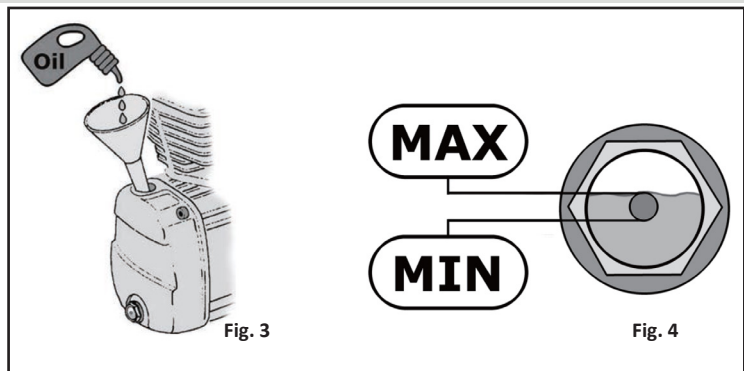
The compressor oil level can be viewed through the sight glass. The compressor must be on a level surface to measure the oil level through the sight glass accurately (see Fig.4):

The top of the red dot indicates the full mark.

The bottom of the red dot indicates the low mark.

Important: Always ensure that the oil level is correct before operating the compressor.

WARNING! Please add SAE30 or SAE 20W-50 oil before starting the air compressor.



Ensure working environment is suitable for use:

This compressor must be used on a flat, level surface. The maximum safe operating angle in any direction is 10° degrees (see Fig.5).

- Do not operate the compressor on inclines in excess of 10° degrees.
- Never use the air compressor on a rooftop or elevated position that could allow the unit to fall or be tipped over.
- Use additional air hose or elevated jobs.

Check power supply is correct for this compressor:

It is important that the air compressor has an adequate power supply. It is recommended to use an air hose extension rather than an electrical cable extension (cable reel) as low voltage could damage the motor. (Damage due to low voltage is not covered under warranty). Read and understand all electrical safety instructions specified in this manual, follow all applicable safety instructions of local authorities.

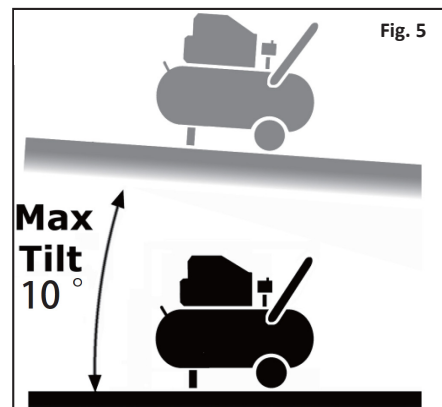


Fig. 5

Operating Instructions**Starting The Compressor**

Before starting the compressor make sure that the ON/OFF pressure switch is in the "OFF" position, the regulator tap is closed, the pressure gauge indicator is at '0'.

Connect the power plug to the power supply socket and turn the air compressor on by moving the switch to the 'ON' position. The pressure switch automatically controls the power to the motor. It also allows for manual operation via the Push/Pull - On/Off switch on top of the pressure switch.

Use the Pressure Switch controls to turn the compressor ON or OFF. The Pressure Switch is a push/pull switch type. To turn the compressor 'ON' pull the switch knob upwards. To turn the compressor 'OFF' push the knob downwards.

The pressure switch is set to turn the compressor on when the tank pressure drops below 85 psi and turn itself off again when the tank is full.

Note: When starting the compressor for the first time, leave it running with no air tools connected to the air outlet. Make sure that pressure in the tank rises and that the compressor stops automatically when the maximum pressure is reached - this information is indicated on the data specification plate and shown on the pressure gauge.

The compressor will now operate automatically. The pressure switch stops the motor when the maximum tank pressure is reached and restarts it when the pressure falls below the minimum threshold - approx. 2 bar (29psi) less than the maximum pressure.

Stopping The Compressor

Stop the compressor by moving the main switch to the 'OFF' position. The compressed air inside the compressor head will flow out, making the restart easier and preventing the motor from being damaged.

Unless there is an emergency, DO NOT stop the compressor by switching off the mains socket, or by pulling the plug out, as this will prevent the automatic pressure release process from taking place, with the possibility of damaging the motor when restarting.

When the air compressor is working correctly and the operation is stopped correctly, you will notice the following:

- (1) A "hissing" sound when the engine is stopped.
- (2) A prolonged "hissing" sound (approximately 20-25 seconds) when the air compressor is turned on with no pressure in the tank.

Regulating The Pressure

The output pressure is regulated by the pressure regulator. Lift and turn the knob clockwise to increase pressure and anticlockwise to reduce it. Push knob down to lock in required position. To determine the correct working pressure for any piece of equipment check the corresponding manual for your tool.

When the compressor is not being used set the regulated pressure to zero so as to avoid damaging the pressure regulator.

WARNING: If the motor does not cut in and out, but runs continuously when using an air appliance, the capacity of the compressor may be too small for the equipment or tool.

The pressure gauge indicates the pressure inside the main tank and NOT the pressure supplied to the air equipment (air tool). If the pressure in the main tank exceeds the preset maximum cut-off pressure, a safety valve will be activated. For this reason DO NOT modify or adjust the switch or safety valve.

When the compressor is not in use, it should be switched off, disconnected from the power supply and the air should be extracted from the tank.



Troubleshooting		
FAULT	CAUSE	REMEDY
Tank pressure drops continually.	Air leak, check all connections.	Locate and rectify leak. Run the compressor at maximum pressure then switch off and disconnect. Brush a soapy water solution over the connections and look for bubbles. Tighten any connections showing leaks. If problem persists contact your authorised service agent.
Tank pressure will not build up.	The drain valve is open.	Close the tank drain valve.
The compressor will not switch off. The safety valve blows off. Compressor does not stop when maximum pressure is reached.	Pressure switch fails to stop motor. Faulty pressure switch.	Contact an authorised service agent.
Tank pressure will not build up and the pump is getting hotter than normal, inlet suction is poor.	The compressor head gasket or valve plate is faulty. Fault with the air filter.	Contact your authorised service agent. Check, clean replace air filter as required.
There is a leak from the base of the pressure switch when the compressor is running.	Failure of the pressure relief valve. (Located in the base of pressure switch).	Contact your authorised service agent.
There is a leak from the base of the pressure switch when the compressor is stopped.	The Non-return valve (from the tank) is leaking.	Disassemble and clean, if necessary replace valve insert. Contact your authorised service agent.
The compressor is noisy with metallic clangs / knocks.	Bearing or piston problem.	Stop the compressor and contact a specialized service technician.
The compressor sounds like it is trying to start (motor makes a humming noise).	Air pressure trapped on piston is resisting the starting effort. Faulty capacitor or fault within the electric motor.	Turn unit off and on a gain using the pressure switch. This will vent air from the delivery tube. Stop the compressor and contact a specialized service technician.
Overload switch acti ated.	Startup load may have acti ated overload switch. Extension lead is too long (if in use). Head unloader not functioning	Leave for a few minutes then press the reset button and restart. Remove the extension lead and test compressor by connecting the compressor as close to the main fuse box as possible. Stop the compressor and contact a specialized service technician.
Air leaks from the safety valve at pressures less than 8 bar.	The safety valve is faulty.	Replace the safety valve.
Compressor stops and will not restart.	Power failure. Motor Failure.	Check electrical supply and fuse. Contact your authorised service agent.

Maintenance

Before attempting any maintenance jobs on the compressor, make sure of the following:

1. The master power switch is tuned off and equipment is isolated from the mains supply.
2. Pressure switch and the control unit switches are all in the OFF position
3. All pressure has been removed from the air tank.

Maintenance operations

1. Switch off power before you maintain or disconnect any components of compressor.
2. Locate the unit in a dry clean place with well ventilation.
3. Position the unit in a level place and keep it isolated from objects around at least 100cm.
4. Check that rotation in the correct direction shown by the arrow.

Procedure	Daily/weekly	100hrs	200hrs	400hrs
Check pump oil level	•			
Drain condensate water from the tank	•			
Check for unusual noise and vibration	•			
Inspect equipment for air leaks	•			
Check air filters		•		
Replace air filters			•	
General cleaning	•			
Check safety relief valve		•		
Check and tighten all bolts		•		
Check tubes fittings & electrical connections				•
Service pump / engine				•
Internal & external tank inspection				•
Replace the oil				•

Daily

- Ensure oil level of crankcase is within the oil gauge.
- Drain out container at least once a day.
- Check if any unusual sound or vibrations while the unit is working.
- Check if any irregular high temperature while the unit is working.

Weekly

- Clean or replace the cleaner insert part if necessary.
- Check the function of safety valve by dragging the suspension link.
- Check the function of pressure valve and relieving valve.

Seasonly

- Check if any fittings or screws are loose.
- Change oil after 500 working hours.
- Check the tension of the belt.

Checking / Cleaning the Air Filter

Ensure the compressor is turned off and disconnected from the power source.
 Allow the compressor pump and other parts to cool off (if changing filter after use).
 Unscrew the filter top from the filter base by turning (generally) counter-clockwise (the direction may vary depending on your filter).
 Separate the filter top cover from the base.
 Remove the filter element from the filter base.
 Blow out dust and debris from the filter element.
 Replace air filter element if required.
 Reconnect filter top to the base and secure filter.

Changing / Filling Compressor Pump Oil

Ensure the compressor is turned off and disconnected from the power source.
 Allow the compressor pump and other parts to cool off (if changing oil after use).
 Ensure compressor is on a flat and level surface.
 Remove fill cap / plug and place collection container underneath the oil drain cap
 Remove the oil drain cap, and let the oil drain out.
 Replace the oil cap and be sure to tighten this nut securely (you can use some PTFE tape on the thread to help create a tighter seal before tightening).
 Fill the oil reservoir with a compatible compressor oil.

Consignes de sécurité

Veillez lire attentivement ces instructions avant de tenter d'assembler, d'installer, d'utiliser ou d'entretenir le produit décrit. Protégez-vous et protégez les autres personnes en respectant toutes les consignes de sécurité. Le non-respect des instructions peut entraîner des blessures corporelles et/ou des dommages matériels ! Conservez les instructions pour vous y référer ultérieurement.

Déballage

Avant et après avoir déballé l'emballage, vérifiez soigneusement qu'il n'y a pas eu de dommages pendant le transport. Assurez-vous que les raccords et les boulons sont bien serrés avant de mettre le compresseur en service.

AVERTISSEMENT ! N'utilisez pas le compresseur s'il a été endommagé pendant le transport, la manutention ou l'utilisation. Ces dommages peuvent entraîner un éclatement et causer des blessures ou des dommages matériels.

DANGER ! Avertissement concernant l'air respirable

Ce compresseur ne dispose pas de l'équipement nécessaire et ne doit pas être utilisé "tel quel" pour fournir de l'air destiné à la respiration. Pour toute application dans laquelle l'air est fourni pour la consommation humaine, le compresseur d'air doit être équipé de l'équipement de sécurité approprié. Cet équipement supplémentaire doit être capable de filtrer et de purifier l'air pour répondre aux exigences de la réglementation en vigueur.

Informations générales sur la sécurité

Étant donné que le compresseur d'air et les autres composants (pompe à matériau, pistolets de pulvérisation, filtres, tuyaux, etc.) utilisés constituent un système de pompage à haute pression, les précautions de sécurité suivantes doivent être respectées à tout moment :

1. Lisez attentivement tous les manuels fournis avec ce produit. Familiarisez-vous avec les commandes et l'utilisation correcte de l'équipement. Respectez tous les codes électriques et de sécurité locaux. Seules les personnes bien au fait de ces règles de sécurité doivent être autorisées à utiliser le compresseur.
2. Tenir les visiteurs à l'écart et ne JAMAIS laisser les enfants dans la zone de travail.
3. Portez des lunettes de sécurité et utilisez des protections auditives lorsque vous utilisez la pompe ou l'unité.
4. Ne vous tenez pas sur la pompe ou l'unité et ne l'utilisez pas comme poignée.
5. Avant chaque utilisation, inspecter le système d'air comprimé et les composants électriques pour détecter tout signe de dommage, de détérioration, de faiblesse ou de fuite.
6. Réparer ou remplacer les éléments défectueux avant l'utilisation.
7. Vérifiez à intervalles fréquents que toutes les fixations sont bien serrées.
8. **AVERTISSEMENT !** Les moteurs, les équipements électriques et les commandes peuvent provoquer des arcs électriques qui enflammeront un gaz ou une vapeur inflammable. Ne jamais faire fonctionner ou réparer dans ou à proximité d'un gaz ou d'une vapeur inflammable. Ne stockez jamais de liquides ou de gaz inflammables à proximité du compresseur.
9. **ATTENTION !** Les pièces du compresseur peuvent être chaudes même si l'unité est arrêtée.
10. Gardez les doigts à l'écart d'un compresseur en marche, les pièces chaudes et en mouvement rapide provoquent des blessures et/ou des brûlures.
11. Si l'équipement commence à vibrer anormalement, ARRÊTEZ le moteur et recherchez immédiatement la cause, les vibrations sont généralement un avertissement de problème.
12. Pour réduire les risques d'incendie, gardez l'extérieur du moteur exempt d'huile, de solvant ou de graisse excessive.
13. **AVERTISSEMENT !** Ne jamais retirer ou tenter de régler la soupape de sécurité. Maintenez la soupape de sécurité exempte de peinture et d'autres accumulations.
14. **DANGER !** Ne tentez jamais de réparer ou de modifier un réservoir ! La soudure, le perçage ou toute autre modification affaiblit le réservoir, ce qui entraîne des dommages par rupture ou explosion. Remplacez toujours les réservoirs usés ou endommagés.
15. **AVERTISSEMENT !** Videz quotidiennement le liquide du réservoir. Les réservoirs rouillent à cause de l'accumulation d'humidité, ce qui affaiblit le réservoir. Veillez à vidanger régulièrement le réservoir et à l'inspecter périodiquement pour détecter toute condition dangereuse telle que la formation de rouille et la corrosion.
16. L'air en mouvement rapide remue la poussière et les débris, ce qui peut être dangereux. Libérez lentement l'air lors de la vidange de l'humidité ou de la dépressurisation du système du compresseur.

Précautions à prendre pour la pulvérisation

AVERTISSEMENT ! Ne pas pulvériser de matériaux inflammables à proximité d'une flamme nue ou de sources d'inflammation, y compris le groupe compresseur.

17. Ne fumez pas lorsque vous pulvérisiez de la peinture, des insecticides ou d'autres substances inflammables.
18. Utilisez un masque facial/respirateur lors de la pulvérisation et pulvérisiez dans un endroit bien ventilé pour éviter les risques pour la santé et le feu.
19. Ne dirigez pas la peinture ou tout autre produit pulvérisé vers le compresseur. Placez le compresseur aussi loin que possible de la zone de pulvérisation afin de minimiser l'accumulation de produit pulvérisé dans le compresseur.
20. Pour réduire les risques d'incendie, placez le compresseur loin de la machine à couper le bois pour éviter que la sciure ne soit aspirée par le moteur.
21. Lors de la pulvérisation ou du nettoyage avec des solvants ou des produits chimiques toxiques, suivez les instructions fournies par le fabricant du produit chimique.

Autres consignes de sécurité importantes

AVERTISSEMENT ! Pour des raisons de sécurité, la machine est livrée avec le filtre démonté.

Connectez le filtre à la machine avant de l'utiliser, conformément au schéma et aux instructions de la page 2.

1. Avant de démarrer la machine, retirez le couvercle en plastique de la tête de la machine et installez le filtre à air et le reniflard.
2. La machine ne peut être démarrée que lorsque l'huile de lubrification répond aux exigences et que le niveau d'huile se trouve au bon niveau de la fenêtre d'huile.
3. La machine ne peut pas être utilisée lorsque la tension est trop élevée ou trop faible ($\pm 5\%$ est autorisé).
4. Lorsqu'il y a de la pression dans le réservoir d'air, ne desserrez aucune pièce de la machine.
5. Ne réglez pas la soupape de sécurité par hasard.
6. Ne débranchez pas la fiche d'alimentation pour arrêter la machine.
7. Si le gaz ne peut pas être évacué lorsque la machine s'arrête de fonctionner, il faut vérifier le problème.
8. L'électricité doit être coupée lorsque la machine ne fonctionne plus.

Données techniques					
Modèle :	BAT5000	BAT5010	BAT5020	BAT5030	BAT5040
Capacité du réservoir :	24 L	50L	24 L	50L	100L
Tension d'entrée ~ Fréquence :	230V 50Hz	230V 50Hz	230V 50Hz	230V 50Hz	230V 50Hz
Sortie moteur :	2HP	2HP	2.5HP	2.5HP	3HP
Pompe :	Monocylindre 2850 tr/min	Monocylindre 2850 tr/min	Monocylindre 2900 tr/min	Monocylindre 2900 tr/min	Monocylindre 2850 tr/min
Déplacement d'air :	6.6cfm (188 L/min)	6.6cfm (188 L/min)	8.4cfm (239 L/min)	8.4cfm (239 L/min)	14.6cfm (412 L/min)
Pression maximale :	8bar (116psi)	8bar (116psi)	10bar (145psi)	10bar (145psi)	10bar (145psi)
Lubrification :	SAE30 ou SAE 20W-50	SAE30 ou SAE 20W-50	SAE30 ou SAE 20W-50	SAE30 ou SAE 20W-50	SAE30 ou SAE 20W-50
Poids :	PN : 24kg / PB : 26kg	PN : 30kg / PB : 35kg	PN : 28kg / PB : 30kg	PN : 34kg / PB : 37kg	PN : 56kg / PB : 61kg

* Le fabricant se réserve le droit d'apporter des modifications mineures à la conception et aux spécifications techniques des produits sans préavis, à moins que ces modifications n'affectent de manière significative les performances et la sécurité des produits. Les pièces décrites / illustrées dans les pages du manuel que vous tenez entre vos mains peuvent également concerner d'autres modèles de la gamme de produits du fabricant présentant des caractéristiques similaires et peuvent ne pas être incluses dans le produit que vous venez d'acquérir.

* Pour garantir la sécurité et la fiabilité du produit et la validité de la garantie, tous les travaux de réparation, d'inspection, de réparation ou de remplacement, y compris l'entretien et les réglages spéciaux, doivent être effectués uniquement par des techniciens du service après-vente agréé du fabricant.

* Utilisez toujours le produit avec l'équipement fourni. L'utilisation du produit avec un équipement non fourni peut entraîner des dysfonctionnements, voire des blessures graves ou mortelles. Le fabricant et l'importateur ne peuvent être tenus responsables des blessures et des dommages résultant de l'utilisation d'un équipement non conforme.

Déballage et montage (Fig.1 - Fig.2)

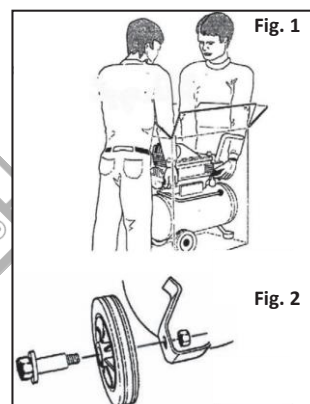
Retirez le compresseur de son emballage (Fig.1).

Inspectez soigneusement l'équipement pour détecter tout élément manquant ou tout dommage causé pendant le transport.

Si vous constatez que quelque chose manque ou est endommagé, contactez un point de service agréé. Nous vous recommandons de conserver l'emballage pendant toute la durée de la garantie. En cas de besoin, il sera plus facile de renvoyer le compresseur au centre de service.

Montez les roues (voir Fig.2) et les pieds avant.

Confirmez que la tension du réseau correspond à la tension indiquée sur la plaque de données/spécifications du compresseur.



Avant la première utilisation

Vérifier le niveau d'huile

Avant d'utiliser le compresseur, vérifiez le niveau d'huile à l'aide de la jauge. Si le niveau d'huile n'est pas suffisant, il faut faire l'appoint avec de l'huile pour compresseur (voir Fig.3).

Voyant / Niveau d'huile :

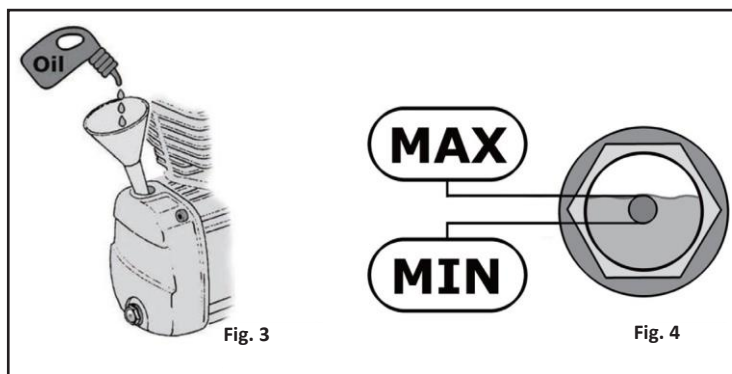
Le niveau d'huile du compresseur peut être visualisé à travers le voyant. Le compresseur doit être placé sur une surface plane pour pouvoir mesurer avec précision le niveau d'huile à travers le voyant (voir Fig.4) :

Le haut du point rouge indique la marque complète.

Le bas du point rouge indique le point bas.

Important : Vérifiez toujours que le niveau d'huile est correct avant d'utiliser le compresseur.

AVERTISSEMENT ! Veuillez ajouter de l'huile SAE30 ou SAE 20W-50 avant de démarrer le compresseur d'air.



S'assurer que l'environnement de travail est adapté à l'utilisation :

Ce compresseur doit être utilisé sur une surface plane et horizontale. L'angle maximal de fonctionnement dans toutes les directions est de 10° degrés (voir Fig.5) .

- Ne faites pas fonctionner le compresseur sur des pentes de plus de 10° degrés.
- N'utilisez jamais le compresseur d'air sur un toit ou une position élevée qui pourrait permettre à l'unité de tomber ou d'être renversée.
- Utilisez un tuyau d'air supplémentaire ou des postes surélevés.

Vérifiez que l'alimentation électrique est correcte pour ce compresseur :

Il est important que le compresseur d'air dispose d'une alimentation électrique adéquate. Il est recommandé d'utiliser une rallonge de tuyau d'air plutôt qu'une rallonge de câble électrique (enrouleur de câble) car la basse tension pourrait endommager le moteur. (Les dommages dus à la basse tension ne sont pas couverts par la garantie). Lisez et comprenez toutes les instructions de sécurité électrique spécifiées dans ce manuel, suivez toutes les instructions de sécurité applicables des autorités locales.

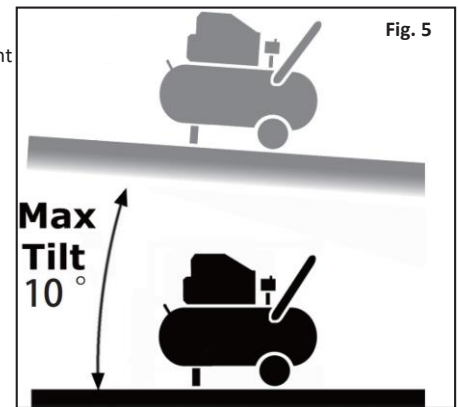


Fig. 5

Instructions d'utilisation**Démarrage du compresseur**

Avant de démarrer le compresseur, assurez-vous que le pressostat ON/OFF est en position "OFF", que le robinet du régulateur est fermé, que l'indicateur du manomètre est à "0".

Connectez la fiche d'alimentation à la prise de courant et mettez le compresseur d'air en marche en plaçant l'interrupteur sur la position 'ON'. Le pressostat contrôle automatiquement l'alimentation du moteur. Il permet également un fonctionnement manuel grâce à l'interrupteur Push/Pull (Pousser/Tirer) - On/Off situé sur le dessus du pressostat.

Utilisez les commandes du pressostat pour allumer ou éteindre le compresseur. Le pressostat est un interrupteur de type push/pull. Pour mettre le compresseur en marche, tirez le bouton de l'interrupteur vers le haut. Pour éteindre le compresseur, poussez le bouton vers le bas.

Le pressostat est réglé pour mettre le compresseur en marche lorsque la pression du réservoir descend en dessous de 85 psi et s'éteindre à nouveau lorsque le réservoir est plein.

Remarque : lors du premier démarrage du compresseur, laissez-le en marche sans qu'aucun outil pneumatique ne soit connecté à la sortie d'air. Assurez-vous que la pression dans le réservoir augmente et que le compresseur s'arrête automatiquement lorsque la pression maximale est atteinte - ces informations sont indiquées sur la plaque signalétique et figurent sur le manomètre.

Le compresseur fonctionne alors automatiquement. Le pressostat arrête le moteur lorsque la pression maximale du réservoir est atteinte et le redémarre lorsque la pression descend en dessous du seuil minimal - environ 2 bars (29psi) de moins que la pression maximale.

Arrêt du compresseur

Arrêtez le compresseur en plaçant l'interrupteur principal sur la position 'OFF'. L'air comprimé à l'intérieur de la tête du compresseur s'écoule, ce qui facilite le redémarrage et évite d'endommager le moteur.

Sauf en cas d'urgence, NE PAS arrêter le compresseur en coupant la prise de courant ou en débranchant la fiche, car cela empêcherait le processus de libération automatique de la pression de se produire, avec la possibilité d'endommager le moteur lors du redémarrage.

Lorsque le compresseur d'air fonctionne correctement et que le fonctionnement est arrêté correctement, vous remarquerez ce qui suit :

- (1) Un sifflement lorsque le moteur est arrêté.
- (2) Un sifflement prolongé (environ 20-25 secondes) lorsque le compresseur d'air est mis en marche sans pression dans le réservoir.

Régulation de la pression

La pression de sortie est régulée par le régulateur de pression. Soulevez et tournez le bouton dans le sens des aiguilles d'une montre pour augmenter la pression et dans le sens inverse pour la réduire. Poussez le bouton vers le bas pour le verrouiller dans la position requise. Pour déterminer la pression de travail correcte pour tout équipement, consultez le manuel correspondant à votre outil.

Lorsque le compresseur n'est pas utilisé, réglez la pression régulée à zéro afin d'éviter d'endommager le régulateur de pression.

AVERTISSEMENT : Si le moteur ne se coupe pas, mais fonctionne en continu lors de l'utilisation d'un appareil à air, la capacité du compresseur est peut-être trop faible pour l'équipement ou l'outil.

Le manomètre indique la pression à l'intérieur du réservoir principal et NON la pression fournie à l'équipement pneumatique (outil pneumatique). Si la pression dans le réservoir principal dépasse la pression de coupure maximale pré-réglée, une soupape de sécurité sera activée. C'est pourquoi il ne faut PAS modifier ou ajuster le commutateur ou la soupape de sécurité.

Lorsque le compresseur n'est pas utilisé, il doit être éteint, déconnecté de l'alimentation électrique et l'air doit être extrait du réservoir.



Dépannage sur		
DÉFAUT	CAUSE	REMÈDE
La pression du réservoir baisse continuellement.	Fuite d'air, vérifiez toutes les connexions.	Localisez et rectifiez la fuite. Faites fonctionner le compresseur à pression maximale, puis éteignez-le et débranchez-le. Passez une solution d'eau savonneuse sur les connexions et recherchez les bulles. Resserrez les connexions qui présentent des fuites. Si le problème persiste, contactez votre agent de service agréé.
La pression du réservoir ne s'accumule pas.	La vanne de vidange est ouverte.	Fermez le robinet de vidange du réservoir.
Le compresseur ne s'arrête pas. La soupape de sécurité s'ouvre. Le compresseur ne s'arrête pas lorsque la pression maximale est atteinte.	Le pressostat n'arrête pas le moteur. Pressostat défectueux.	Contactez un agent de service agréé.
La pression du réservoir ne monte pas et la pompe chauffe plus que la normale, l'aspiration à l'entrée est faible.	Le joint de tête du compresseur ou le plateau de soupape est défectueux. Défaut au niveau du filtre à air.	Contactez votre agent de service agréé. Vérifiez, nettoyez et remplacez le filtre à air si nécessaire.
Il y a une fuite à la base du pressostat lorsque le compresseur fonctionne.	Défaillance de la soupape de décharge de la pression. (Située à la base du pressostat).	Contactez votre agent de service agréé.
Il y a une fuite à la base du pressostat lorsque le compresseur est arrêté.	Le clapet anti-retour (du réservoir) fuit.	Démontez et nettoyez, remplacez si nécessaire l'insert de la vanne. Contactez votre agent de service agréé.
Le compresseur est bruyant et émet des bruits métalliques.	Problème de roulement ou de piston.	Arrêtez le compresseur et contactez un technicien spécialisé.
Le compresseur semble essayer de démarrer (le moteur émet un bourdonnement).	La pression d'air emprisonnée sur le piston résiste à l'effort de démarrage. Condensateur défectueux ou défaut du moteur électrique.	Eteignez et rallumez l'appareil à l'aide du pressostat. Cela permettra d'évacuer l'air du tube de refoulement. Arrêtez le compresseur et contactez un technicien de service spécialisé.
Le commutateur de surcharge est activé.	La charge de démarrage peut avoir activé l'interrupteur de surcharge. La rallonge est trop longue (si elle est utilisée). Le déchargeur de tête ne fonctionne pas	Laissez reposer pendant quelques minutes puis appuyez sur le bouton de réinitialisation et redémarrez. Retirez la rallonge et testez le compresseur en le branchant aussi près que possible de la boîte à fusibles principale. Arrêtez le compresseur et contactez un technicien spécialisé.
De l'air s'échappe de la soupape de sécurité à des pressions inférieures à 8 bars.	La valve de sécurité est défectueuse.	Remplacez la soupape de sécurité.
Le compresseur s'arrête et ne redémarre pas.	Panne de courant. Défaillance du moteur.	Vérifiez l'alimentation électrique et le fusible. Contactez votre agent de service agréé.

Maintenance

Avant d'entreprendre toute opération de maintenance sur le compresseur, assurez-vous des points suivants :

1. L'interrupteur principal est mis hors tension et l'équipement est isolé du réseau électrique.
2. Le pressostat et les interrupteurs de l'unité de contrôle sont tous en position OFF.
3. Toute la pression a été retirée du réservoir d'air.

Opérations de maintenance

1. Coupez l'alimentation avant de procéder à l'entretien ou au débranchement de tout composant du compresseur.
2. Placez l'appareil dans un endroit sec et propre, bien ventilé.
3. Placez l'appareil dans un endroit plat et gardez-le isolé des objets à au moins 100 cm.
4. Vérifiez que la rotation se fait dans le sens correct indiqué par la flèche.

Procédure	Journalier/hebdomadaire	100 heures	200 heures	400 heures
Vérifier le niveau d'huile de la pompe	•			
Vidanger l'eau de condensation du réservoir	•			
Vérifiez l'absence de bruits et de vibrations inhabituels	•			
Inspecter l'équipement pour détecter les fuites d'air	•			
Vérifier les filtres à air		•		
Remplacer les filtres à air			•	
Nettoyage général	•			
Vérifier la soupape de sécurité		•		
Vérifiez et serrez tous les boulons		•		
Vérifier les raccords de tubes et les connexions électriques				•
Service pompe / moteur				•
Inspection interne et externe des réservoirs				•
Remplacer l'huile				•

Quotidiennement

- Vérifiez que le niveau d'huile du carter se situe dans la jauge d'huile.
- Videz le récipient au moins une fois par jour.
- Vérifiez s'il y a des bruits ou des vibrations inhabituels pendant le fonctionnement de l'appareil.
- Vérifiez s'il y a une température élevée irrégulière pendant que l'unité fonctionne.

Hebdomadaire

- Nettoyez ou remplacez la pièce d'insertion du nettoyeur si nécessaire.
- Vérifiez le fonctionnement de la soupape de sécurité en faisant glisser le bras de suspension.
- Vérifiez le fonctionnement de la soupape de pression et de la soupape de décharge.

En saison

- Vérifiez si des raccords ou des vis sont desserrés.
- Changez l'huile après 500 heures de travail.
- Vérifiez la tension de la courroie.

Vérification / Nettoyage du filtre à air

Assurez-vous que le compresseur est éteint et déconnecté de la source d'alimentation.

Laissez refroidir la pompe du compresseur et les autres pièces (si vous changez le filtre après utilisation).

Dévissez le couvercle du filtre de la base du filtre en tournant (généralement) dans le sens inverse des aiguilles d'une montre (le sens peut varier en fonction de votre filtre).

Séparez le couvercle supérieur du filtre de la base.

Retirez l'élément filtrant de la base du filtre.

Soufflez la poussière et les débris de l'élément filtrant.

Remplacez l'élément du filtre à air si nécessaire.

Reconnectez la partie supérieure du filtre à la base et fixez le filtre.

Remplacement / remplissage de l'huile de la pompe du compresseur

Assurez-vous que le compresseur est éteint et déconnecté de la source d'alimentation.

Laissez refroidir la pompe du compresseur et les autres pièces (si vous changez l'huile après utilisation).

Assurez-vous que le compresseur est sur une surface plane et horizontale.

Retirez le bouchon de remplissage et placez un récipient de collecte sous le bouchon de vidange d'huile.

Retirez le bouchon de vidange d'huile et laissez l'huile s'écouler.

Remettez le bouchon d'huile en place et veillez à bien serrer l'écrou (vous pouvez utiliser du ruban PTFE sur le filetage pour créer un joint plus étanche avant de serrer).

Remplissez le réservoir d'huile avec une huile pour compresseur compatible.

Istruzioni di sicurezza

Leggere attentamente le presenti istruzioni prima di tentare di assemblare, installare, utilizzare o effettuare la manutenzione del prodotto descritto. Proteggete voi stessi e le altre persone osservando tutte le informazioni sulla sicurezza. La mancata osservanza delle istruzioni può causare lesioni personali e/o danni materiali! Conservare le istruzioni per riferimenti futuri.

Disimballaggio

Prima e dopo aver disimballato l'imballo, controllare attentamente che non vi siano danni causati dal trasporto. Assicurarsi che i raccordi e i bulloni siano ben stretti prima di mettere in funzione il compressore.

AVVERTENZA! Non utilizzare il compressore se è stato danneggiato durante la spedizione, la movimentazione o l'uso. Questi danni possono provocare lo scoppio del compressore e causare lesioni o danni materiali.

PERICOLO! Avvertenza sull'aria respirabile

Questo compressore non è dotato dell'attrezzatura necessaria e non deve essere utilizzato "così com'è" per fornire aria destinata alla respirazione. Per qualsiasi applicazione in cui l'aria viene fornita per il consumo umano, il compressore d'aria deve essere dotato dell'attrezzatura di sicurezza appropriata. Questa attrezzatura aggiuntiva deve essere in grado di filtrare e purificare l'aria per soddisfare i requisiti delle normative vigenti.

Informazioni generali sulla sicurezza

Poiché il compressore d'aria e gli altri componenti (pompa del materiale, pistole a spruzzo, filtri, tubi flessibili, ecc.) utilizzati costituiscono un sistema di pompaggio ad alta pressione, è necessario osservare sempre le seguenti precauzioni di sicurezza:

1. Leggere attentamente tutti i manuali allegati al prodotto. Conoscere a fondo i comandi e l'uso corretto dell'apparecchiatura. Seguire tutti i codici elettrici e di sicurezza locali. L'uso del compressore deve essere consentito solo a persone che conoscono bene queste regole di funzionamento sicuro.
2. Tenere lontani i visitatori e non permettere MAI ai bambini di entrare nell'area di lavoro.
3. Indossare occhiali di sicurezza e utilizzare protezioni per l'udito durante il funzionamento della pompa o dell'unità.
4. Non stare in piedi o usare la pompa o l'unità come appiglio.
5. Prima di ogni utilizzo, ispezionare il sistema di aria compressa e i componenti elettrici per verificare che non vi siano segni di danni, deterioramento, debolezza o perdite.
6. Riparare o sostituire gli elementi difettosi prima dell'uso.
7. Controllare a intervalli frequenti che tutti gli elementi di fissaggio siano ben serrati.
8. **AVVERTENZA!** I motori, le apparecchiature elettriche e i comandi possono provocare archi elettrici che incendiano gas o vapori infiammabili. Non operare o riparare mai all'interno o in prossimità di gas o vapori infiammabili. Non conservare mai liquidi o gas infiammabili in prossimità del compressore.
9. **ATTENZIONE!** Le parti del compressore possono essere calde anche se l'unità è ferma.
10. Tenere le dita lontane da un compressore in funzione: le parti calde e in rapido movimento possono causare lesioni e/o ustioni.
11. Se l'apparecchiatura inizia a vibrare in modo anomalo, arrestare il motore e verificarne immediatamente la causa; le vibrazioni sono generalmente un avvertimento di problemi.
12. Per ridurre il rischio di incendio, mantenere l'esterno del motore/motore privo di olio, solvente o grasso eccessivo.
13. **AVVERTENZA!** Non rimuovere o tentare di regolare la valvola di sicurezza. Mantenere la valvola di sicurezza libera da vernice e altri accumuli.
14. **PERICOLO!** Non tentare mai di riparare o modificare un serbatoio! Saldature, forature o altre modifiche possono indebolire il serbatoio e causare danni da rottura o esplosione. Sostituire sempre i serbatoi usurati o danneggiati.
15. **AVVERTENZA!** Scaricare quotidianamente il liquido dal serbatoio. I serbatoi si arrugginiscono a causa dell'accumulo di umidità, che indebolisce il serbatoio. Assicurarsi di scaricare regolarmente il serbatoio e di ispezionarlo periodicamente per verificare l'assenza di condizioni pericolose, come la formazione di ruggine e la corrosione.
16. L'aria in rapido movimento solleva polvere e detriti, che possono essere dannosi. Rilasciare l'aria lentamente quando si drena l'umidità o si depressurizza il sistema del compressore.

Precauzioni per la spruzzatura

AVVERTENZA! Non spruzzare materiali infiammabili in prossimità di fiamme libere o vicino a fonti di accensione, compresa l'unità di compressione.

17. Non fumare quando si spruzzano vernici, insetticidi o altre sostanze infiammabili.
18. Utilizzare una maschera facciale/respiratore quando si spruzza e spruzzare in un'area ben ventilata per evitare rischi per la salute e l'incendio.
19. Non dirigere la vernice o altri materiali spruzzati verso il compressore. Collocare il compressore il più lontano possibile dall'area di spruzzatura per ridurre al minimo l'accumulo di materiale spruzzato nel compressore.
20. Per ridurre il rischio di incendio, posizionare il compressore lontano dalla taglierina per evitare che la segatura venga aspirata dal motore.
21. Quando si spruzza o si pulisce con solventi o prodotti chimici tossici, seguire le istruzioni fornite dal produttore del prodotto.

Altre importanti note sulla sicurezza

ATTENZIONE! Per motivi di sicurezza, la macchina viene consegnata con il filtro smontato.

Collegare il filtro alla macchina prima di metterla in funzione seguendo lo schema e le istruzioni a pagina 2.

1. Prima di avviare la macchina, togliere il coperchio di plastica sulla testa della macchina e installare il filtro dell'aria e lo sfiatatoio.
2. La macchina può essere avviata solo quando l'olio lubrificante soddisfa i requisiti e il livello dell'olio è al livello giusto della finestra dell'olio.
3. La macchina non può funzionare quando la tensione è troppo alta o troppo bassa (è consentito $\pm 5\%$).
4. Quando c'è pressione nel serbatoio dell'aria, non allentare nessuna parte della macchina.
5. Non regolare casualmente la valvola di sicurezza.
6. Non staccare la spina di alimentazione per arrestare la macchina.
7. Se il gas non può essere scaricato quando la macchina smette di funzionare, è necessario verificare il problema.
8. L'elettricità deve essere interrotta quando la macchina smette di funzionare.

Dati tecnici					
Modello:	BAT5000	BAT5010	BAT5020	BAT5030	BAT5040
Capacità del serbatoio:	24 L	50L	24 L	50L	100L
Tensione d'ingresso ~ Frequenza:	230V 50Hz	230V 50Hz	230V 50Hz	230V 50Hz	230V 50Hz
Uscita motore:	2HP	2HP	2,5HP	2,5HP	3HP
Pompa:	Monocilindric o 2850 giri/min	Monocilindric o 2850 giri/min	Monocilindric o 2900 giri/min	Monocilindric o 2900 giri/min	Monocilindric o 2850 giri/min
Cilindrata d'aria:	6,6cfm (188 L/min)	6,6cfm (188 L/min)	8,4cfm (239 L/min)	8,4cfm (239 L/min)	14,6cfm (412 L/min)
Pressione massima:	8 bar (116 psi)	8 bar (116 psi)	10 bar (145 psi)	10 bar (145 psi)	10 bar (145 psi)
Lubrificazione:	SAE30 o SAE 20W-50	SAE30 o SAE 20W-50	SAE30 o SAE 20W-50	SAE30 o SAE 20W-50	SAE30 o SAE 20W-50
Peso:	PN: 24 kg / PL: 26 kg	PN: 30 kg / PL: 35 kg	PN: 28 kg / PL: 30 kg	PN: 34 kg / PL: 37 kg	PN: 56 kg / PL: 61 kg

* Il produttore si riserva il diritto di apportare modifiche minori al design e alle specifiche tecniche del prodotto senza preavviso, a meno che tali modifiche non influiscano in modo significativo sulle prestazioni e sulla sicurezza dei prodotti. Le parti descritte/illustrate nelle pagine del manuale che avete tra le mani possono riguardare anche altri modelli della linea di prodotti del produttore con caratteristiche simili e potrebbero non essere incluse nel prodotto appena acquistato.

* Per garantire la sicurezza e l'affidabilità del prodotto e la validità della garanzia, tutti i lavori di riparazione, ispezione, riparazione o sostituzione, compresa la manutenzione e le regolazioni speciali, devono essere eseguiti esclusivamente da tecnici del servizio di assistenza autorizzato del produttore.

* Utilizzare sempre il prodotto con le apparecchiature in dotazione. L'utilizzo del prodotto con apparecchiature non in dotazione può causare malfunzionamenti o addirittura lesioni gravi o morte. Il produttore e l'importatore non sono responsabili per lesioni e danni derivanti dall'uso di apparecchiature non conformi.

Disimballaggio e montaggio (Fig.1 - Fig.2)

Rimuovere il compressore dall'imballaggio (Fig. 1).

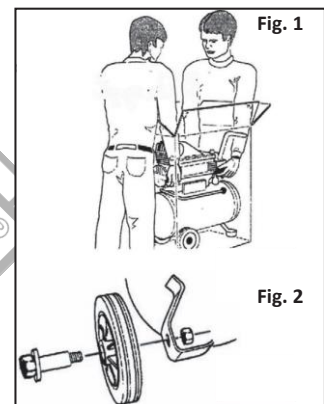
Ispezionare attentamente l'apparecchiatura per verificare che non vi siano elementi mancanti o danni causati dal trasporto.

Se si riscontrano mancanze o danni, contattare un punto di assistenza autorizzato.

Si consiglia di conservare l'imballaggio per la durata del periodo di garanzia. Se necessario, sarà più facile riportare il compressore al centro di assistenza.

Montare le ruote (vedere Fig. 2) e i piedini anteriori.

Verificare che la tensione di rete corrisponda a quella indicata sulla targhetta dati/specifiche del compressore.



Prima del primo utilizzo

Controllo del livello dell'olio

Prima di utilizzare il compressore, controllare il livello dell'olio utilizzando l'astina di livello. Se l'olio non è al livello indicato, è necessario rabboccarlo con olio per compressori (vedi Fig. 3). compressore (vedere Fig. 3).

Vetro spia / Livello dell'olio:

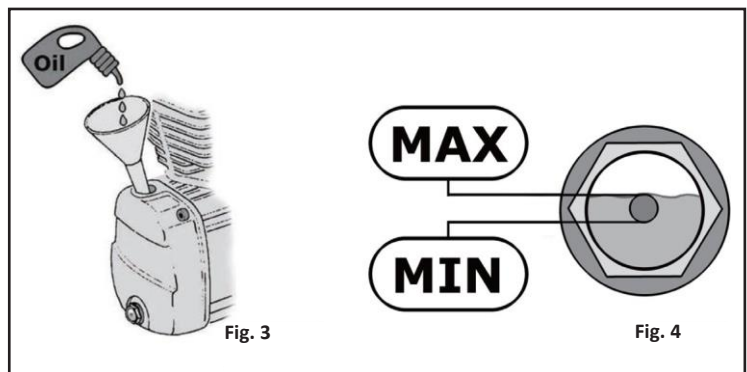
Il livello dell'olio del compressore può essere visualizzato attraverso il vetro spia. Il compressore deve trovarsi su una superficie piana per misurare con precisione il livello dell'olio attraverso la attraverso il vetro spia in modo accurato (vedere Fig. 4):

La parte superiore del punto rosso indica il segno di pieno.

La parte inferiore del punto rosso indica il segno di minimo.

Importante: assicurarsi sempre che il livello dell'olio sia corretto prima di far funzionare il compressore.

ATTENZIONE! Aggiungere olio SAE30 o SAE 20W-50 prima di avviare il compressore d'aria. compressore d'aria.



Assicurarsi che l'ambiente di lavoro sia adatto all'uso:

Questo compressore deve essere utilizzato su una superficie piana e livellata. L'angolo massimo di funzionamento sicuro in qualsiasi direzione è di 10° gradi (vedere Fig. 5).

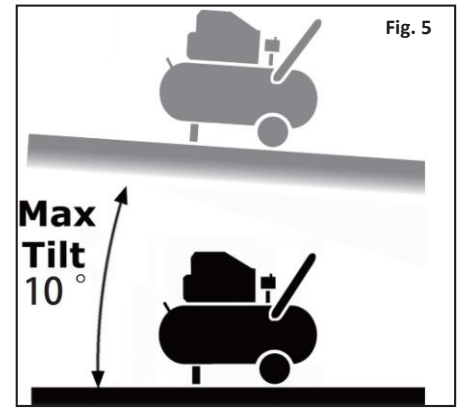
Non utilizzare il compressore su pendenze superiori a 10°.

Non utilizzare mai il compressore d'aria su un tetto o in una posizione elevata che potrebbe far cadere o ribaltare l'unità.

Utilizzare un tubo dell'aria aggiuntivo o posti di lavoro rialzati.

Controllare che l'alimentazione sia corretta per questo compressore:

È importante che il compressore d'aria abbia un'alimentazione adeguata. Si consiglia di utilizzare una prolunga del tubo dell'aria piuttosto che una prolunga del cavo elettrico (avvolgicavo), poiché la bassa tensione potrebbe danneggiare il motore. (I danni dovuti alla bassa tensione non sono coperti dalla garanzia). Leggere e comprendere tutte le istruzioni di sicurezza elettrica specificate nel presente manuale e seguire tutte le istruzioni di sicurezza applicabili delle autorità locali. Istruzioni di sicurezza delle autorità locali.

**Istruzioni per l'uso****Avvio del compressore**

Prima di avviare il compressore, accertarsi che il pressostato ON/OFF sia in posizione "OFF", che il rubinetto del regolatore sia chiuso e che l'indicatore del manometro sia su '0'.

Collegare la spina di alimentazione alla presa di corrente e accendere il compressore d'aria spostando l'interruttore in posizione "ON". Il pressostato controlla automaticamente l'alimentazione del motore. Consente inoltre il funzionamento manuale tramite l'interruttore Push/Pull - On Off posto sulla parte superiore del pressostato.

Utilizzare i comandi del pressostato per attivare o disattivare il compressore. Il pressostato è di tipo push/pull. Per accendere il compressore, tirare la manopola verso l'alto. Per spegnere il compressore, spingere la manopola verso il basso.

Il pressostato è impostato in modo da attivare il compressore quando la pressione del serbatoio scende al di sotto di 85 psi e da spegnersi quando il serbatoio è pieno.

Nota: Quando si avvia il compressore per la prima volta, lasciarlo in funzione senza utensili pneumatici collegati all'uscita dell'aria. Assicurarsi che la pressione nel serbatoio aumenti e che il compressore si arresti automaticamente al raggiungimento della pressione massima: queste informazioni sono indicate sulla targhetta dei dati e visualizzate sul manometro.

A questo punto il compressore funziona automaticamente. Il pressostato arresta il motore quando viene raggiunta la pressione massima del serbatoio e lo riavvia quando la pressione scende sotto la soglia minima - circa 2 bar (29 psi) in meno rispetto alla pressione massima.

Arresto del compressore

Arrestare il compressore spostando l'interruttore principale in posizione "OFF". L'aria compressa all'interno della testa del compressore uscirà, facilitando il riavvio ed evitando di danneggiare il motore.

A meno che non si tratti di un'emergenza, NON arrestare il compressore spegnendo la presa di corrente o estraendo la spina, in quanto ciò impedisce il processo di rilascio automatico della pressione, con la possibilità di danneggiare il motore al momento del riavvio.

Quando il compressore d'aria funziona correttamente e il funzionamento viene interrotto correttamente, si noterà quanto segue:

- (1) Un "sibilo" quando il motore è fermo.
- (2) Un "sibilo" prolungato (circa 20-25 secondi) quando il compressore d'aria viene acceso senza pressione nel serbatoio.

Regolazione della pressione

La pressione di uscita è regolata dal regolatore di pressione. Sollevare e ruotare la manopola in senso orario per aumentare la pressione e in senso antiorario per ridurla. Spingere la manopola verso il basso per bloccarla nella posizione desiderata. Per determinare la pressione di esercizio corretta per qualsiasi apparecchiatura, consultare il relativo manuale dell'utensile.

Quando il compressore non viene utilizzato, impostare la pressione regolata su zero per evitare di danneggiare il regolatore di pressione.

AVVERTENZA: se il motore non si arresta e non si spegne, ma funziona ininterrottamente quando si utilizza un apparecchio ad aria compressa, la capacità del compressore potrebbe essere troppo bassa per l'apparecchio o l'utensile.

Il manometro indica la pressione all'interno del serbatoio principale e NON la pressione fornita all'attrezzatura pneumatica (utensile pneumatico). Se la pressione nel serbatoio principale supera la pressione massima di spegnimento preimpostata, si attiva una valvola di sicurezza. Per questo motivo NON modificare o regolare l'interruttore o la valvola di sicurezza.

Quando il compressore non è in uso, deve essere spento, scollegato dall'alimentazione e l'aria deve essere estratta dal serbatoio.



Risoluzione dei problemi		
GUASTO	CAUSA	RIMEDIO
La pressione del serbatoio diminuisce continuamente.	Perdita d'aria, controllare tutti i collegamenti.	Individuare e correggere la perdita. Far funzionare il compressore alla massima pressione, quindi spegnerlo e scollegarlo. Passare una soluzione di acqua saponata sui collegamenti e verificare la presenza di bolle. Serrare i collegamenti che presentano perdite. Se il problema persiste, contattare il servizio di assistenza autorizzato.
La pressione del serbatoio non aumenta.	La valvola di scarico è aperta.	Chiudere la valvola di scarico del serbatoio.
Il compressore non si spegne. La valvola di sicurezza salta. Il compressore non si arresta al raggiungimento della pressione massima.	Il pressostato non riesce ad arrestare il motore. Pressostato difettoso.	Rivolgersi a un centro di assistenza autorizzato.
La pressione del serbatoio non aumenta e la pompa si scalda più del normale, l'aspirazione in ingresso è scarsa.	La guarnizione della testa del compressore o la piastra della valvola sono difettose. Guasto al filtro dell'aria.	Rivolgersi al servizio di assistenza autorizzato. Controllare, pulire e sostituire il filtro dell'aria come richiesto.
C'è una perdita dalla base del pressostato quando il compressore è in funzione.	Guasto della valvola di scarico della pressione. (Situata alla base del pressostato).	Rivolgersi al proprio agente di assistenza autorizzato.
C'è una perdita dalla base del pressostato quando il compressore è fermo.	La valvola di non ritorno (dal serbatoio) perde.	Smontare e pulire, se necessario sostituire l'insero della valvola. Rivolgersi al servizio di assistenza autorizzato.
Il compressore è rumoroso, con rumori e colpi metallici.	Problema al cuscinetto o al pistone.	Arrestare il compressore e contattare un tecnico specializzato.
Il compressore sembra cercare di avviarsi (il motore emette un ronzio).	La pressione dell'aria intrappolata sul pistone si oppone allo sforzo di avviamento. Condensatore difettoso o anomalia del motore elettrico.	Spegnere e riaccendere l'unità utilizzando il pressostato. In questo modo l'aria verrà espulsa dal tubo di mandata. Fermare il compressore e contattare un tecnico specializzato.
Interruttore di sovraccarico attivato.	Il carico all'avvio potrebbe aver attivato l'interruttore di sovraccarico. La prolunga è troppo lunga (se in uso). Lo scaricatore di testa non funziona.	Lasciare agire per qualche minuto, quindi premere il pulsante di reset e riavviare. Rimuovere il cavo di prolunga e testare il compressore collegandolo il più vicino possibile alla scatola dei fusibili principale. Arrestare il compressore e contattare un tecnico specializzato.
L'aria fuoriesce dalla valvola di sicurezza a pressioni inferiori a 8 bar.	La valvola di sicurezza è difettosa.	Sostituire la valvola di sicurezza.
Il compressore si arresta e non si riavvia.	Interruzione dell'alimentazione. Guasto al motore.	Controllare l'alimentazione elettrica e il fusibile. Contattare il servizio di assistenza autorizzato.

Manutenzione

Prima di eseguire qualsiasi intervento di manutenzione sul compressore, accertarsi di quanto segue:

1. L'interruttore generale è spento e l'apparecchiatura è isolata dalla rete di alimentazione.
2. Il pressostato e gli interruttori dell'unità di controllo sono tutti in posizione OFF
3. La pressione è stata rimossa dal serbatoio dell'aria.

Operazioni di manutenzione

1. Spegnerne l'alimentazione prima di effettuare la manutenzione o di scollegare qualsiasi componente del compressore.
2. Collocare l'unità in un luogo asciutto e pulito con una buona ventilazione.
3. Posizionare l'unità in un luogo pianeggiante e tenerla isolata da oggetti di almeno 100 cm.
4. Verificare che la rotazione avvenga nel senso corretto indicato dalla freccia.

Procedura	Giornaliero/settimanale	100 ore	200 ore	400 ore
Controllare il livello dell'olio della pompa	•			
Scaricare l'acqua di condensa dal serbatoio	•			
Verificare la presenza di rumori e vibrazioni insoliti	•			
Ispezionare l'apparecchiatura per verificare la presenza di perdite d'aria	•			
Controllare i filtri dell'aria		•		
Sostituzione dei filtri dell'aria			•	
Pulizia generale	•			
Controllare la valvola di sicurezza		•		
Controllare e serrare tutti i bulloni		•		
Controllare i raccordi dei tubi e i collegamenti elettrici				•
Pompa di servizio / motore				•
Ispezione interna ed esterna dei serbatoi				•
Sostituire l'olio				•

Giornaliero

- Assicurarsi che il livello dell'olio nel carter sia compreso nell'indicatore dell'olio.
- Scolare il contenitore almeno una volta al giorno.
- Verificare l'eventuale presenza di suoni o vibrazioni insoliti durante il funzionamento dell'unità.
- Controllare che non vi siano temperature elevate irregolari durante il funzionamento dell'unità.

Settimanale

- Se necessario, pulire o sostituire la parte dell'insero del pulitore.
- Controllare il funzionamento della valvola di sicurezza trascinando il tirante della sospensione.
- Controllare il funzionamento della valvola di pressione e della valvola di scarico.

Stagionale

- Controllare se i raccordi o le viti sono allentati.
- Sostituire l'olio dopo 500 ore di lavoro.
- Controllare la tensione della cinghia.

Controllo e pulizia del filtro dell'aria

Assicurarsi che il compressore sia spento e scollegato dalla fonte di alimentazione.

Lasciare raffreddare la pompa del compressore e le altre parti (se si cambia il filtro dopo l'uso).

Svitare la parte superiore del filtro dalla base del filtro ruotando (generalmente) in senso antiorario (la direzione può variare a seconda del filtro).

Separare il coperchio superiore del filtro dalla base.

Rimuovere l'elemento filtrante dalla base del filtro.

Soffiare via polvere e detriti dall'elemento filtrante.

Se necessario, sostituire l'elemento filtrante.

Ricollegare la parte superiore del filtro alla base e fissare il filtro.

Sostituzione/riempimento dell'olio della pompa del compressore

Assicurarsi che il compressore sia spento e scollegato dalla fonte di alimentazione.

Lasciare raffreddare la pompa del compressore e le altre parti (se si cambia l'olio dopo l'uso).

Assicurarsi che il compressore si trovi su una superficie piana e livellata.

Rimuovere il tappo di riempimento e collocare un contenitore di raccolta sotto il tappo di scarico dell'olio.

Rimuovere il tappo di scarico dell'olio e far defluire l'olio.

Riposizionare il tappo dell'olio e assicurarsi di serrare saldamente il dado (è possibile utilizzare del nastro PTFE sulla filettatura per creare una tenuta più stretta prima di serrare).

Riempire il serbatoio dell'olio con un olio per compressori compatibile.

Οδηγίες ασφαλούς χρήσης

Διαβάστε τις παρακάτω οδηγίες προσεκτικά προτού επιχειρήσετε να πραγματοποιήσετε εργασίες συναρμολόγησης, αντικατάστασης εξαρτημάτων, χρήσης ή συντήρησης. Προφυλάξτε τον εαυτό σας όπως επίσης και τα υπόλοιπα άτομα που βρίσκονται στον χώρο εργασίας ακολουθώντας τις οδηγίες και πληροφορίες ασφαλείας. Η μη τήρηση των οδηγιών ασφαλείας μπορεί να οδηγήσει σε τραυματισμό του χειριστή ή σε βλάβες του εξοπλισμού του. Φυλάξτε το εγχειρίδιο οδηγιών χρήσης για μελλοντική χρήση.

Οδηγίες ασφαλείας περί αποσυσκευασίας του μηχανήματος

Πριν και μετά το άνοιγμα της συσκευασίας, επιθεωρήστε προσεκτικά για τυχόν ζημιές που μπορεί να έχουν προκληθεί κατά τη διάρκεια της μεταφοράς. Βεβαιωθείτε ότι τα εξαρτήματα όπως πχ. τα μπουλόνια κλπ. είναι σωστά σφικμένα και έχουν καλή εφαρμογή προτού θέσετε σε λειτουργία το συμπιεστή.

ΠΡΟΣΟΧΗ! Αυτές οι ζημιές ενδέχεται να προκαλέσουν διαρροή και να προκαλέσουν τραυματισμό ή υλική ζημιά.

ΠΡΟΣΟΧΗ! Ακαταλληλότητα χρήσης ως μέσο τροφοδότησης αναπνεόμενου αέρα

Αυτός ο συμπιεστής δεν διαθέτει τον απαραίτητο εξοπλισμό και δεν θα πρέπει να χρησιμοποιείται "ως έχει" για την παροχή αέρα ο οποίος προορίζεται προς αναπνοή. Για οποιαδήποτε εφαρμογή στη οποία τροφοδοτείται αέρας προς κατανάλωση από κάποιον άνθρωπο, ο συμπιεστής αέρα θα πρέπει να είναι εφοδιασμένος με τον κατάλληλο εξοπλισμό ασφαλείας. Αυτός ο πρόσθετος εξοπλισμός έχει την ιδιότητα να φιλτράρει και να καθαρίζει τον αέρα ώστε να πληροί τις απαραίτητες προδιαγραφές για των αντίστοιχων κανονισμών.

Γενικές πληροφορίες ασφαλείας

Δεδομένου ότι ο αεροσυμπιεστής και τα υπόλοιπα εξαρτήματα (αντλία υλικού, πιστόλια ψεκασμού, φίλτρα, λιπαντικά, εύκαμπτοι σωλήνες κ.λπ.) που χρησιμοποιούνται, αποτελούν ένα σύστημα άντλησης υψηλής πίεσης, πρέπει πάντα να τηρούνται οι ακόλουθες προφυλάξεις ασφαλείας:

1. Διαβάστε προσεκτικά όλα τα ένθετα που περιλαμβάνονται σε αυτό το προϊόν. Εξοικειωθείτε με τα χειριστήρια και τη σωστή χρήση του εξοπλισμού.
2. Ακολουθήστε όλους τους τοπικούς κανονισμούς που αφορούν στην ασφάλεια και στην χρήση ηλεκτρικής ενέργειας, και στις Η.Π.Α., τους Εθνικούς κανονισμούς (NEC) και τον νόμο περί Ασφάλειας και Υγείας στην Εργασία (OSHA).
3. Μόνο τα άτομα που γνωρίζουν καλά αυτούς τους κανόνες ασφαλούς λειτουργίας πρέπει να έχουν την άδεια να χρησιμοποιούν τον συμπιεστή.
4. Κρατήστε μακριά τυχόν παρευρισκόμενους και παιδιά από τον χώρο εργασίας.
5. Φορέστε γυαλιά ασφαλείας και χρησιμοποιήστε μέσα προστασίας της ακοής κατά τη λειτουργία του μηχανήματος.
6. Το μηχάνημα αυτό δεν προορίζεται για οικιακή χρήση.
7. Πριν από κάθε χρήση, επιθεωρήστε το σύστημα πεπιεσμένου αέρα και τα ηλεκτρικά εξαρτήματα για σημάδια ζημιάς, εκτεταμένης φθοράς, αλλοίωσης ή διαρροή, Επισκευάστε ή αντικαταστήστε τα ελαττωματικά εξαρτήματα πριν τη χρήση.
8. Ελέγξτε όλα τα σημεία σύνδεσης ανά τακτά χρονικά διαστήματα έτσι ώστε να υπάρχει σωστή στεγανότητα. Οι ηλεκτροκινητήρες, ο ηλεκτρικός εξοπλισμός και τα όργανα χειρισμού μπορούν να προκαλέσουν συνθήκες ανάφλεξης σε συνδυασμό με την παρουσία εύφλεκτων αερίων. Μη χρησιμοποιείτε το μηχάνημα και μην εκτελείτε εργασίες επισκευής του ενώ βρίσκεστε κοντά σε εύφλεκτα αέρια. Μην αποθηκεύετε ποτέ εύφλεκτα υγρά ή αέρια κοντά στον συμπιεστή.
9. Τα εξαρτήματα του συμπιεστή μπορεί να έχουν υψηλή θερμοκρασία ακόμη και αν η μονάδα έχει σταματήσει.
10. Κρατήστε τα δάχτυλά σας μακριά από ένα συμπιεστή λειτουργίας, κινούμενα και ζεστά μέρη που προκαλούν τραυματισμό ή / και εγκαύματα.
11. Εάν ο εξοπλισμός αρχίζει να δονείται ασυνήθιστα, σταματήστε την λειτουργία του κινητήρα και προσπαθήστε να βρείτε την αιτία του προβλήματος, η παρουσία ασυνήθιστων κραδασμών είναι σημάδι ένδειξης πιθανού προβλήματος.
12. Για να μειώσετε τον κίνδυνο πυρκαγιάς, διατηρήστε τις επιφάνειες του κινητήρα απαλλαγμένες από λάδι, διαλύτες ή υπολείμματα γράσου. Ποτέ μην αφαιρείτε ή προσπαθείτε να ρυθμίσετε τη βαλβίδα ασφαλείας. Κρατήστε τη βαλβίδα ασφαλείας καθαρή από χρώματα και άλλες συσσωρεύσεις. Ποτέ μην επιχειρήσετε να επισκευάσετε ή να τροποποιήσετε μια δεξαμενή! Η συγκόλληση, η διάτρηση ή οποιαδήποτε άλλη τροποποίηση θα δημιουργήσει αδύναμα σημεία στη δεξαμενή με αποτέλεσμα να προκληθούν βλάβες λόγω ρήξης ή έκρηξης. Να αντικαθιστάτε πάντοτε τις εκτεταμένα φθαρμένες ή χαλασμένες δεξαμενές.
13. Αδειάζετε τα υγρά από την δεξαμενή ημερησίως
14. Οι δεξαμενές σκουριάζουν λόγω της συσσώρευσης υγρασίας, η οποία αποδυναμώνει τη δεξαμενή. Βεβαιωθείτε ότι η δεξαμενή αποστραγγίζεται τακτικά και ελέγχετε περιοδικά για μη ασφαλείς συνθήκες, όπως ο σχηματισμός σκουριάς και η διάβρωση.
15. Ο ταχέως κινούμενος αέρας ανακατεύει τη σκόνη και τα άλλου τύπου σωματίδια, τα οποία μπορεί να είναι επιβλαβή. Απελευθερώστε αργά τον αέρα κατά την απομάκρυνση του ύδατος ή την αποσυμπίεση του συστήματος.
16. Προειδοποιήσεις ασφαλείας εφαρμογής του πεπιεσμένου αέρα
17. Μην ψεκάζετε εύφλεκτα υλικά κοντά σε φλόγες ή άλλες πηγές ανάφλεξης, συμπεριλαμβανομένης της μονάδας συμπιεστή.
18. Μην καπνίζετε όταν ψεκάζετε χρώματα, εντομοκτόνα ή άλλες εύφλεκες ουσίες.
19. Χρησιμοποιείτε μάσκα προστασίας όταν ψεκάζετε. Κατά την διάρκεια του ψεκασμού βεβαιωθείτε ότι υπάρχει επαρκής αερισμός του χώρου εργασίας έτσι ώστε να αποτρέψετε κινδύνους προσβολής της υγείας και δημιουργίας πυρκαγιάς.
20. Μην κατευθύνετε τον ψεκασμό χρώματος ή άλλων υλικών προς το μέρος του συμπιεστή. Τοποθετήστε το συμπιεστή όσο το δυνατόν πιο μακριά από την περιοχή ψεκασμού, για να ελαχιστοποιήσετε τη συσσώρευση του υλικού ψεκασμού στον συμπιεστή.
21. Για να μειώσετε τον κίνδυνο πυρκαγιάς, τοποθετήστε τον αεροσυμπιεστή μακριά από τα μηχανήματα κατεργασίας ξύλου για να αποτρέψετε την εισχώρηση πριονιδιού στο μοτέρ.
22. Όταν ψεκάζετε ή καθαρίζετε με διαλύτες ή τοξικές χημικές ουσίες, ακολουθήστε τις οδηγίες που παρέχονται από τον κατασκευαστή του χημικού προϊόντος.

Σημαντικές σημειώσεις ασφαλείας

ΠΡΟΕΙΔΟΠΟΙΗΣΗ! Για λόγους ασφαλείας, το μηχάνημα παραδίδεται με αποσυναρμολογημένο το φίλτρο.

Συνδέστε το φίλτρο στο μηχάνημα πριν το θέσετε σε λειτουργία σύμφωνα με το διάγραμμα και τις οδηγίες στη σελίδα 2.

1. Πριν από την ενεργοποίηση του αεροσυμπιεστή, αφαιρέστε το πλαστικό κάλυμμα στην κεφαλή του μηχανήματος και τοποθετήστε την βαλβίδα εξαέρωσης και το φίλτρο αέρα.
2. Πριν από την ενεργοποίηση του αεροσυμπιεστή, βεβαιωθείτε πως το λιπαντικό λάδι πληρωί τις απαιτήσεις και πως η στάθμη λαδιού βρίσκεται στο προβλεπόμενο επίπεδο του δείκτη στάθμης λαδιού.
3. Μην θέτετε σε λειτουργία τον αεροσυμπιεστή όταν η τάση είναι πολύ υψηλή ή πολύ χαμηλή (επιτρεπόμενη απόκλιση $\pm 5\%$).
4. Μην χαλαρώνετε τα εξαρτήματα του αεροσυμπιεστή όταν το αεροφυλάκιο περιέχει αέρα υπό πίεση.
5. Μην ρυθμίζετε την βαλβίδα ασφαλείας σε τακτική βάση αν αυτό δεν κρίνεται απαραίτητο.
6. Μην αποσυνδέετε το βύσμα τροφοδοσίας για να απενεργοποιήσετε τον αεροσυμπιεστή.
7. Σε περίπτωση ο αέρας που βρίσκεται εντός του αεροφυλακίου δεν εξαγάγεται αυτομάτως μετά την απενεργοποίηση του αεροσυμπιεστή, τότε θα πρέπει να ελεγχθεί από το εξουσιοδοτημένο τμήμα σέρβις.
8. Αποσυνδέστε το βύσμα τροφοδοσίας του αεροσυμπιεστή από την πρίζα όταν το μηχάνημα δεν χρησιμοποιείται.

Τεχνικά Χαρακτηριστικά					
Μοντέλο:	BAT5000	BAT5010	BAT5020	BAT5030	BAT5040
Χωρητικότητα δεξαμενής:	24 L	50L	24 L	50L	100L
Τάση/ Συχνότητα εισόδου:	230V 50Hz	230V 50Hz	230V 50Hz	230V 50Hz	230V 50Hz
Ισχύς εξόδου κινητήρα:	2HP	2HP	2.5HP	2.5HP	3HP
Αντλία:	Μονοκύλινδρη 2850rpm	Μονοκύλινδρη 2850rpm	Μονοκύλινδρη 2900rpm	Μονοκύλινδρη 2900rpm	Μονοκύλινδρη 2850rpm
Παροχή αέρα:	6.6cfm (188 L/min)	6.6cfm (188 L/min)	8.4cfm (239 L/min)	8.4cfm (239 L/min)	14.6cfm (412 L/min)
Μέγιστη πίεση:	8bar (116psi)	8bar (116psi)	10bar (145psi)	10bar (145psi)	10bar (145psi)
Λάδι λίπανσης	SAE30 ή SAE 20W-50	SAE30 ή SAE 20W-50	SAE30 ή SAE 20W-50	SAE30 ή SAE 20W-50	SAE30 ή SAE 20W-50
Βάρος:	K.B: 24kg / M.B: 26kg	K.B 30kg / M.B: 35kg	K.B: 28kg / M.B: 30kg	K.B: 34kg / M.B: 37kg	K.B: 56kg / M.B: 61kg

* Ο κατασκευαστής διατηρεί το δικαίωμα να πραγματοποιήσει δευτερεύουσες αλλαγές στο σχεδιασμό του προϊόντος και στα τεχνικά χαρακτηριστικά χωρίς προηγούμενη ειδοποίηση, εκτός εάν οι αλλαγές αυτές επηρεάζουν σημαντικά την απόδοση και λειτουργία ασφάλειας των προϊόντων. Τα εξαρτήματα που περιγράφονται / απεικονίζονται στις σελίδες του εγχειριδίου που κρατάτε στα χέρια σας ενδέχεται να αφορούν και σε άλλα μοντέλα της σειράς προϊόντων του κατασκευαστή, με παρόμοια χαρακτηριστικά, και ενδέχεται να μην περιλαμβάνονται στο προϊόν που μόλις αποκτήσατε.

* Για να διασφαλιστεί η ασφάλεια και η αξιοπιστία του προϊόντος καθώς και η ισχύς της εγγύησης όλες οι εργασίες επιδιόρθωσης, ελέγχου, επισκευής ή αντικατάστασης συμπεριλαμβανομένης της συντήρησης και των ειδικών ρυθμίσεων, πρέπει να εκτελούνται μόνο από τεχνικούς του εξουσιοδοτημένου τμήματος Service του κατασκευαστή.

* Χρησιμοποιείτε πάντα το προϊόν με τον παρεχόμενο εξοπλισμό. Η λειτουργία του προϊόντος με μη προβλεπόμενο εξοπλισμό ενδέχεται να προκαλέσει βλάβη ή ακόμα και σοβαρό τραυματισμό ή θάνατο. Ο κατασκευαστής και ο εισαγωγέας ουδεμία ευθύνη φέρει για τραυματισμούς και βλάβες που προκύπτουν από την χρήση μη προβλεπόμενου εξοπλισμού.

Αποσυσκευασία και συναρμολόγηση (Εικόνες 1 και 2)

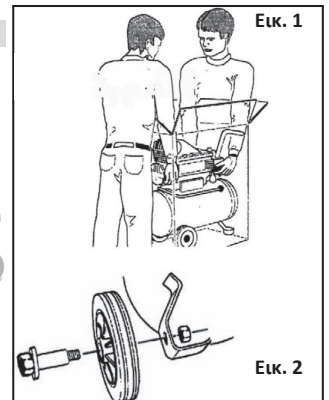
Αφαιρέστε το συμπιεστή από το χαρτοκιβώτιο (Βλέπε εικ.1).

Αν διαπιστωθεί ότι λείπει κάποιο εξάρτημα/ τμήμα ή έχει υποστεί ζημιά, επικοινωνήστε με τον πλησιέστερο αντιπρόσωπο της BORMANN.

Σας συνιστούμε να αποθηκεύσετε τη συσκευασία κατά τη διάρκεια της περιόδου εγγύησης. Εάν είναι απαραίτητο, θα είναι ευκολότερο να επιστρέψετε το συμπιεστή στο κέντρο σέρβις στο χαρτοκιβώτιό του.

Σύνδεση των τροχών (Εικ. 2) και των εμπρόσθιων ποδιών στήριξης

Βεβαιωθείτε ότι η τάση του δικτύου αντιστοιχεί στην τάση που αναγράφεται στην πινακίδα δεδομένων/προδιαγραφών του αεροσυμπιεστή.



Πριν την αρχική χρήση

Ελέγξτε την στάθμη λαδιού:

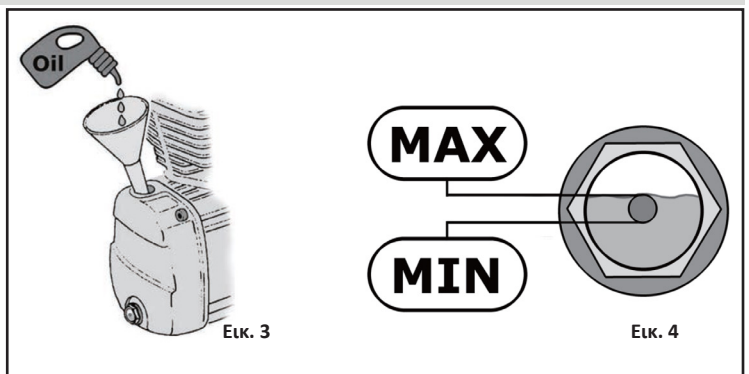
Πριν την χρήση του συμπιεστή ελέγξτε την στάθμη λαδιού με τον δείκτη λαδιού. Εάν το λάδι δεν βρίσκεται έως την στάθμη της σήμανσης θα πρέπει συμπληρώσετε με λάδι συμπιεστή (δείτε την Εικ. 3).

Διαφανής θυρίδα ελέγχου στάθμης / Στάθμη λαδιού:

Η στάθμη του λαδιού συμπιεστή μπορεί να ελεγχθεί δια μέσου της διαφανούς θυρίδας ελέγχου στάθμης. Ο συμπιεστής θα πρέπει να βρίσκεται σε μια επίπεδη επιφάνεια ώστε να καθίσταται δυνατή η μέτρηση της στάθμης λαδιού με ακρίβεια (δείτε την Εικ. 4):

- Η κορυφή της κόκκινης κουκίδας υποδεικνύει το πλήρες σημείο πλήρωσης
- Ο πυθμένας της κόκκινης κουκίδας υποδεικνύει το κατώτατο σημείο πλήρωσης.

ΠΡΟΣΟΧΗ! Συμπληρώστε λάδι SAE30 ή SAE20W-50 πριν την αρχική εκκίνηση του αεροσυμπιεστή!



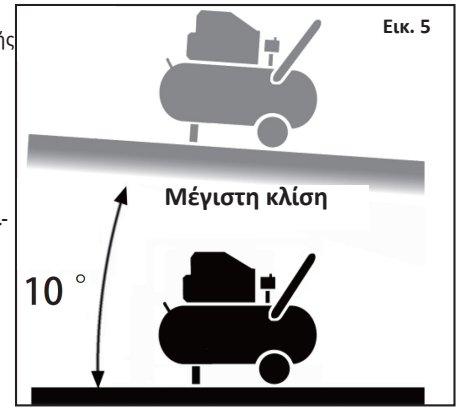
Βεβαιωθείτε ότι το περιβάλλον εργασίας είναι κατάλληλο για την χρήση του αεροσυμπιεστή:

Αυτός ο αεροσυμπιεστής πρέπει να χρησιμοποιείται σε επίπεδη, ισόπεδη επιφάνεια. Η μέγιστη ασφαλή γωνία λειτουργίας προς οποιαδήποτε κατεύθυνση είναι 10° μοίρες (βλ. Εικ.5).

- Μην χρησιμοποιείτε το συμπιεστή σε κλίσεις άνω των 10° μοιρών.
- Μην χρησιμοποιείτε ποτέ τον αεροσυμπιεστή σε οροφές ή σε υπερυψωμένη θέση που θα μπορούσε να επιτρέψει στο μηχάνημα να πέσει ή να ανατραπεί.
- Χρησιμοποιήστε προεκτάσεις σωλήνα αέρα όποτε απαιτείται.

Ελέγξτε ότι η παροχή ρεύματος έχει τα κατάλληλα χαρακτηριστικά για την λειτουργία του αεροσυμπιεστή:

Είναι σημαντικό ο αεροσυμπιεστής να διαθέτει επαρκή παροχή ρεύματος. Προτιμήστε να χρησιμοποιήσετε προέκταση σωλήνα αέρος έναντι της προέκτασης ηλεκτρικού καλωδίου (μπαλαντέζα)δεδομένου ότι η χαμηλή τάση θα μπορούσε να προκαλέσει βλάβη στον κινητήρα. (Οι βλάβες λόγω χαμηλής τάσης δεν καλύπτονται από την εγγύηση). Διαβάστε και κατανοήστε όλες τις οδηγίες ηλεκτρικής ασφάλειας που ορίζονται στο παρόν εγχειρίδιο, ακολουθήστε όλες τις ισχύουσες οδηγίες ασφαλείας των τοπικών αρχών.



Εικ. 5

Οδηγίες λειτουργίας**Ενεργοποίηση του αεροσυμπιεστή**

Πριν ενεργοποιήσετε τον αεροσυμπιεστή ελέγξτε και βεβαιωθείτε ότι ο διακόπτης ON/OFF του αέρα (πιεσοστάτης) βρίσκεται στη θέση " OFF ", ότι η στρόφιγγα του ρυθμιστή είναι κλειστή και ότι ο δείκτης του μανόμετρου βρίσκεται στην ένδειξη " 0 ".

Συνδέστε το βύσμα τροφοδοσίας στην πρίζα της παροχής ηλεκτρικού ρεύματος και ενεργοποιήστε τον αεροσυμπιεστή μετακινώντας τον γενικό διακόπτη στη θέση 'ON'.

Ο πιεσοστάτης ελέγχει αυτόματα την ισχύ του κινητήρα. Επιτρέπει επίσης τη χειροκίνητη λειτουργία μέσω του διακόπτη τύπου Push/Pull - On/Off που βρίσκεται στην κορυφή του πιεσοστάτη.

Χρησιμοποιήστε τον διακόπτη του πιεσοστάτη για να ενεργοποιήσετε το αεροσυμπιεστή " ON/OFF". Ο διακόπτης του πιεσοστάτη είναι ένας τύπος διακόπτη ώθησης/έλξης. Για να ενεργοποιήσετε τον αεροσυμπιεστή 'ON' τραβήξτε το κουμπί του διακόπτη προς τα πάνω. Για να απενεργοποιήσετε το συμπιεστή 'OFF' πιέστε το κουμπί προς τα κάτω.

Ο πιεσοστάτης είναι εργοστασιακά ρυθμισμένος ώστε να ενεργοποιεί τον αεροσυμπιεστή όταν η πίεση της δεξαμενής πέσει κάτω από 85 psi και να τον απενεργοποιεί ξανά όταν η δεξαμενή είναι πλήρης.

Σημείωση: Όταν ενεργοποιείτε τον αεροσυμπιεστή για πρώτη φορά, αφήστε τον σε λειτουργία χωρίς εργαλεία αέρα συνδεδεμένα στην έξοδο αέρα. Βεβαιωθείτε ότι η πίεση στη δεξαμενή αυξάνεται και ότι η λειτουργία του αεροσυμπιεστή διακόπτεται αυτόματα όταν επιτευχθεί η μέγιστη πίεση - οι πληροφορίες αυτές αναγράφονται στην πινακίδα προδιαγραφών και τεχνικών δεδομένων και εμφανίζονται στο μανόμετρο.

Μετά από αυτά τα βήματα, ο έλεγχος της λειτουργίας του αεροσυμπιεστή θα εκτελείται αυτόματα. Ο πιεσοστάτης διακόπτει την λειτουργία του κινητήρα όταν επιτευχθεί η μέγιστη πίεση στην δεξαμενή και τον ενεργοποιεί ξανά όταν η πίεση πέσει κάτω από το ελάχιστο όριο - όταν μειωθεί κατά ≈2 bar (29psi) σε σχέση με την μέγιστη πίεση (όταν η δεξαμενή είναι πλήρης).

Διακοπή λειτουργίας του αεροσυμπιεστή

Διακόψτε την λειτουργία του αεροσυμπιεστή θέτοντας τον διακόπτη στην θέση 'OFF'. Ο συμπιεσμένος αέρας που βρίσκεται στην κεφαλή του αεροσυμπιεστή θα εξαχθεί, καθιστώντας την επανεκκίνηση ευκολότερη και προστατεύοντας τον κινητήρα από τις βλάβες.

Εκτός αν υπάρξει έκτακτη ανάγκη, μην διακόψετε ποτέ την λειτουργία του αεροσυμπιεστή απενεργοποιώντας τον διακόπτη της παροχής ηλεκτρικού ρεύματος ή αποσυνδέοντας το βύσμα τροφοδοσίας από την πρίζα, καθώς κατ' αυτόν τον τρόπο δεν θα πραγματοποιηθεί η αυτόματη διαδικασία εκτόνωσης της πίεσης με αποτέλεσμα να υπάρχει η πιθανότητα πρόκλησης βλάβης στον κινητήρα κατά την επανεκκίνηση.

Όταν ο αεροσυμπιεστής λειτουργεί σωστά και η λειτουργία του διακόπτεται σωστά, θα παρατηρήσετε τα εξής:

- (1) Ένας ήχος " σφυρίγματος" κατά την διακοπή λειτουργίας του κινητήρα.
- (2) Ένας παρατεταμένος ήχος " σφυρίγματος" (περίπου 20-25 δευτερόλεπτα) όταν ο αεροσυμπιεστής ενεργοποιείται χωρίς να υπάρχει πίεση στη δεξαμενή.

Ρύθμιση της πίεσης

Η πίεση εξόδου ρυθμίζεται από τον ρυθμιστή πίεσης. Σηκώστε και γυρίστε την στρόφιγγα δεξιόστροφα για να αυξήσετε την πίεση και αριστερόστροφα για να την μειώσετε - πιέστε την στρόφιγγα προς τα κάτω για να την κλειδώσετε στην απαιτούμενη θέση. Για να προσδιορίσετε τη σωστή πίεση εργασίας για οποιοδήποτε εξάρτημα του εξοπλισμού (εργαλεία αέρος) ελέγξτε το αντίστοιχο εγχειρίδιο για το εργαλείο σας.

Όταν ο αεροσυμπιεστής δεν χρησιμοποιείται, ρυθμίστε τη πίεση στο μηδέν, ώστε να αποφεύγεται η βλάβη του ρυθμιστή πίεσης.


ΠΡΟΕΙΔΟΠΟΙΗΣΗ: Εάν ο κινητήρας λειτουργεί συνεχόμενα (χωρίς να ενεργοποιείται και να απενεργοποιείται αυτόματα), όταν χρησιμοποιείτε εργαλεία αέρος ή παρόμοιο εξοπλισμό, η χωρητικότητα του συμπιεστή μπορεί να είναι πολύ μικρή για τον συγκεκριμένο εξοπλισμό ή εργαλείο.

Το μανόμετρο δείχνει την πίεση του εσωτερικού της κύριας δεξαμενής και ΟΧΙ την πίεση που παρέχεται στον εξοπλισμό αέρα (εργαλείο αέρα). Εάν η πίεση στην κύρια δεξαμενή υπερβαίνει την προκαθορισμένη μέγιστη πίεση διακοπής, θα ενεργοποιηθεί μια βαλβίδα ασφαλείας.

Για το λόγο αυτό ΜΗΝ τροποποιείτε ή ρυθμίζετε το διακόπτη ή τη βαλβίδα ασφαλείας.

Όταν ο συμπιεστής δεν χρησιμοποιείται, θα πρέπει να απενεργοποιείται, να αποσυνδέεται από την παροχή ρεύματος και ο αέρας να εξαγεται (αποσυμπιέζεται) από τη δεξαμενή.



Αντιμετώπιση πιθανών προβλημάτων		
Περιγραφή προβλήματος	Πιθανή αιτία	Τρόπος αντιμετώπισης του προβλήματος
Η πίεση της δεξαμενής μειώνεται συνεχώς.	Διαρροή αέρος, ελέγξτε όλα τα σημεία σύνδεσης και τους συνδέσμους.	Εντοπίστε και επιδιορθώστε τη διαρροή. Θέστε σε λειτουργία τον αεροσυμπιεστή στην ρύθμιση μέγιστης πίεσης και στη συνέχεια απενεργοποιήστε και αποσυνδέστε τον. Εφαρμόστε σαπουνόνερο πάνω από τις συνδέσεις και αναζητήστε φυσαλίδες. Σφίξτε τυχόν συνδέσεις που παρουσιάζουν διαρροές. Εάν το πρόβλημα εξακολουθεί να υφίσταται, επικοινωνήστε με τον εξουσιοδοτημένο αντιπρόσωπο σέρβις.
Η πίεση της δεξαμενής δεν αυξάνεται.	Η τάπα αποστράγγισης είναι χαλαρωμένη.	Σφίξτε την τάπα αποστράγγισης της δεξαμενής.
Ο αεροσυμπιεστής δεν απενεργοποιείται. Η βαλβίδα ασφαλείας τίθεται σε ισχύ. Η λειτουργία του αεροσυμπιεστή δεν διακόπτεται όταν επιτυγχάνεται η μέγιστη πίεση.	Ο πιεσοστάτης δεν απενεργοποιεί τον αεροσυμπιεστή. Πρόβλημα λειτουργίας του πιεσοστάτη.	Επικοινωνήστε με έναν εξουσιοδοτημένο αντιπρόσωπο.
Η πίεση της δεξαμενής δεν αυξάνεται και η αντλία θερμαίνεται υπερβολικά, η ισχύς αναρρόφησης στην εισαγωγή αέρα είναι χαμηλή.	Πρόβλημα που εντοπίζεται στην φλάντζα της κεφαλής του αεροσυμπιεστή. Πρόβλημα που εντοπίζεται στις βαλβίδες του αεροσυμπιεστή. Βλάβη του φίλτρου αέρα.	Επικοινωνήστε με τον εξουσιοδοτημένο αντιπρόσωπο σέρβις. Ελέγξτε, καθαρίστε αντικαταστήστε το φίλτρο αέρα όπως απαιτείται.
Υπάρχει διαρροή από τη βάση του διακόπτη πίεσης κατά την διάρκεια λειτουργίας του αεροσυμπιεστή.	Η βαλβίδα εκτόνωσης της πίεσης δεν λειτουργεί σωστά (βρίσκεται στη βάση του πιεσοστάτη).	Επικοινωνήστε με έναν εξουσιοδοτημένο αντιπρόσωπο.
Διαρροή από την βάση του πιεσοστάτη όταν η λειτουργία του μηχανήματος διακόπτεται.	Διαρροή στην ανεπίστροφη βαλβίδα της δεξαμενής.	Αποσυναρμολογήστε και καθαρίστε, εάν είναι απαραίτητο αντικαταστήστε το χαλασμένο εξάρτημα της βαλβίδας. Επικοινωνήστε με τον εξουσιοδοτημένο αντιπρόσωπο σέρβις.
Παράγεται ένας "μεταλλικός" ήχος κατά την διάρκεια λειτουργίας του αεροσυμπιεστή.	Πρόβλημα στα ρουλεμάν ή τα έμβολα.	Διακόψτε την λειτουργία του αεροσυμπιεστή και επικοινωνήστε με τον εξουσιοδοτημένο αντιπρόσωπο σέρβις.
Ο αεροσυμπιεστής παράγει έναν ήχο σαν να πραγματοποιείται εκκίνηση με δυσκολία ("βουητό").	Η πίεση του αέρα που παγιδεύεται στο έμβολο παρεμποδίζει την εκκίνηση του αεροσυμπιεστή. Ελαττωματικός πυκνωτής ή βλάβη εντός του ηλεκτρικού κινητήρα.	Απενεργοποιήστε και ενεργοποιήστε ξανά το μηχάνημα μέσω του πιεσοστάτη. Η ενέργεια αυτή θα απεγκλωβίσει τον αέρα από τον σωλήνα. Διακόψτε την λειτουργία του αεροσυμπιεστή και επικοινωνήστε με τον εξουσιοδοτημένο αντιπρόσωπο σέρβις.
Ο διακόπτης ασφαλείας υπερφόρτωσης έχει τεθεί σε ισχύ.	Το φορτίο κατά την εκκίνηση μπορεί να έχει ενεργοποιήσει το διακόπτη υπερφόρτωσης. Η προέκταση έχει πολύ μεγάλο μήκος (εάν χρησιμοποιείται). Το σύστημα αποσυμπίεσης της κεφαλής δεν λειτουργεί.	Περιμένετε για λίγα λεπτά, και στη συνέχεια, πατήστε το κουμπί επαναφοράς και κάντε επανεκκίνηση.  Αφαιρέστε το καλώδιο προέκτασης και τον δοκιμάστε την λειτουργία του αεροσυμπιεστή συνδέοντάς τον όσο το δυνατόν πλησιέστερα στον ασφαλειοδιακόπτη της παροχής. Διακόψτε την λειτουργία του αεροσυμπιεστή και επικοινωνήστε με τον εξουσιοδοτημένο αντιπρόσωπο σέρβις.
Διαρροές αέρα από τη βαλβίδα ασφαλείας σε πιέσεις μικρότερες από 8 bar.	Η βαλβίδα ασφαλείας έχει υποστεί βλάβη.	Αντικαταστήστε την βαλβίδα ασφαλείας.
Η λειτουργία του αεροσυμπιεστή διακόπτεται και μετά δεν ενεργοποιείται ξανά.	Διακοπή ρεύματος. Βλάβη κινητήρα.	Ελέγξτε την παροχή ηλεκτρικού ρεύματος και την ασφάλεια. Επικοινωνήστε με τον εξουσιοδοτημένο αντιπρόσωπο σέρβις.

Συντήρηση

Πριν επιχειρήσετε οποιοδήποτε εργασίες συντήρησης στον αεροσυμπιεστή, βεβαιωθείτε για τα εξής:

1. Ο γενικός διακόπτης ON/OFF βρίσκεται στην θέση OFF και ο εξοπλισμός είναι αποσυνδεδεμένος από την παροχή ηλεκτρικού ρεύματος.
2. Ο πιεσοστάτης και οι διακόπτες ελέγχου είναι όλοι στη θέση OFF.
3. Όλη η πίεση έχει αφαιρεθεί από τη δεξαμενή αέρα.

Βασικά βήματα

1. Βεβαιωθείτε πως έχετε αποσυνδέσει το βύσμα τροφοδοσίας από την πρίζα πριν από οποιαδήποτε εργασία συντήρησης ή πριν την αφαίρεση εξαρτημάτων από τον αεροσυμπιεστή.
2. Εγκαταστήστε τον αεροσυμπιεστή σε καθαρό και τακτοποιημένο χώρο με επαρκή εξαερισμό.
3. Τοποθετήστε τον αεροσυμπιεστή σε επίπεδη επιφάνεια διατηρώντας ασφαλή απόσταση τουλάχιστον 100cm από άλλα αντικείμενα ή επιφάνειες.
4. Βεβαιωθείτε πως η κατεύθυνση περιστροφής είναι σωστή βάσει του συμβόλου (βέλος).

Πίνακας περιοδικής συντήρησης				
Διαδικασία	Κάθε μέρα/εβδομαδιαίως	100Ω	200Ω	400Ω
Ελέγξτε την στάθμη λαδιού της αντλίας	•			
Αποστραγγίστε το νερό από την δεξαμενή.	•			
Έλεγχος για ασυνήθιστο θόρυβο και κραδασμούς	•			
Επιθεωρήστε τον εξοπλισμό για διαρροές αέρα	•			
Έλεγχος φίλτρων αέρα		•		
Αντικατάσταση φίλτρων αέρα			•	
Γενικός καθαρισμός	•			
Ελέγξτε τη βαλβίδα εκτόνωσης / ασφάλειας		•		
Ελέγξτε και σφίξτε όλες τις βίδες.		•		
Ελέγξτε τα εξαρτήματα σύνδεσης των σωλήνων αέρα και τις ηλεκτρικές συνδέσεις				•
Σέρβις της αντλίας / κινητήρα				•
Εσωτερική και εξωτερική επιθεώρηση της δεξαμενής				•
Αντικατάσταση του λαδιού				•

Σε καθημερινή βάση

- Βεβαιωθείτε πως η στάθμη λαδιού στο στροφαλοθάλαμο βρίσκεται στο προβλεπόμενο επίπεδο του δείκτη στάθμης λαδιού.
- Αποστραγγίστε το νερό που συγκεντρώνεται στο αεροφυλάκιο μέσω της βαλβίδας αποστράγγισης τουλάχιστον μια φορά την μέρα.
- Ελέγξτε εάν παράγονται ασυνήθιστοι ήχοι ή κραδασμοί, κάθε φορά, κατά την διάρκεια λειτουργίας του αεροσυμπιεστή.
- Ελέγξτε εάν ο αεροσυμπιεστής αναπτύσσει μη-φυσιολογική θερμοκρασία, κάθε φορά, κατά την διάρκεια λειτουργίας.

Σε εβδομαδιαία βάση

- Καθαρίστε ή αντικαταστήστε το στοιχείο του φίλτρου, όπου κρίνεται απαραίτητο.
- Ελέγξτε την λειτουργική κατάσταση της βαλβίδας ασφαλείας τραβώντας το εξάρτημα ανάρτησης.
- Ελέγξτε την λειτουργική κατάσταση της βαλβίδας πιέσεως και της βαλβίδας εκτόνωσης.

Μετά από κάθε περίοδο εργασιών (σεζόν)

- Βεβαιωθείτε πως όλα τα εξαρτήματα σύνδεσης είναι επαρκώς συσφιγμένα.
- Αντικαταστήστε το λάδι έπειτα από 500 ώρες λειτουργίας.
- Ελέγξτε την ένταση του ιμάντα.

Έλεγχος / καθαρισμός του φίλτρου αέρα

Βεβαιωθείτε ότι ο αεροσυμπιεστής είναι απενεργοποιημένος και αποσυνδεδεμένος από την παροχή τροφοδοσίας.

Αφήστε την αντλία αεροσυμπιεστή και άλλα μέρη να κρυώσουν (εάν αλλάξετε φίλτρο μετά τη χρήση).

Ξεβιδώστε το επάνω μέρος του φίλτρου από τη βάση φίλτρου γυρίζοντας (γενικά) αριστερόστροφα (η κατεύθυνση μπορεί να διαφέρει ανάλογα με το φίλτρο σας).

Διαχωρίστε το επάνω κάλυμμα φίλτρου από τη βάση.

Αφαιρέστε το στοιχείο του φίλτρου από τη βάση του.

Απομακρύνετε τη σκόνη και τα υπολείμματα με χρήση πεπιεσμένου αέρα από το στοιχείο του φίλτρου.

Αντικαταστήστε το στοιχείο φίλτρου αέρα, εάν απαιτείται.

Επανασυνδέστε το επάνω μέρος φίλτρου στην βάση και ασφαλίστε το.

Αλλαγή/Πλήρωση με λάδι για την αντλία του αεροσυμπιεστή

- Βεβαιωθείτε ότι ο συμπιεστής είναι εκτός λειτουργίας (θέση OFF) και είναι αποσυνδεδεμένος από την πηγή ισχύος.
- Αφήστε την αντλία συμπιεστή και άλλα εξαρτήματα να ψυχθούν (εφόσον αλλάξετε λάδι μετά την χρήση).
- Βεβαιωθείτε ότι ο συμπιεστής βρίσκεται σε μια επίπεδη & λεία επιφάνεια.
- Αφαιρέστε την τάπα πλήρωσης και τοποθετήστε το δοχείο συλλογής κάτω από την τάπα αποστράγγισης λαδιού.
- Αφαιρέστε την τάπα αποστράγγισης λαδιού και αφήστε το λάδι να ρέυσει.
- Επανατοποθετήστε την τάπα λαδιού και να είστε βέβαιοι να σφίξετε αυτό το παξιμάδι με ασφάλεια (χρησιμοποιήστε λίγη ταινία PTFE στο σπείρωμα ώστε με την συνδρομή αυτής να δημιουργηθεί μια καλύτερη σφράγιση προ τη σύσφιξης).
- Γεμίστε την δεξαμενή ελαίου με ένα συμβατό λάδι συμπιεστή.

Инструкции за безопасност

Моля, прочетете внимателно тези инструкции, преди да се опитате да сглобите, инсталирате, използвате или поддържате описания продукт. Защитете себе си и другите хора, като спазвате цялата информация за безопасност. Неспазването на инструкциите може да доведе до лични наранявания и/или материални щети! Запазете инструкциите или ги използвайте в бъдеще.

Разопаковане на

Преди и след разопаковането на опаковката внимателно проверете за евентуални повреди, които може да са възникнали по време на транспортирането. Уверете се, че фитингите и болтовете са затегнати, преди да пуснете компресора в експлоатация.

ПРЕДУПРЕЖДЕНИЕ! Не работете с компресора, ако той е бил повреден по време на транспортиране, обработка или употреба. Тези повреди могат да доведат до спукване и да причинят нараняване или материални щети.

ОПАСНОСТ! Предупреждение за дишащ въздух

Този компресор не разполага с необходимото оборудване и не трябва да се използва "в този си вид" за подаване на въздух, предназначен за дишане. За всяко приложение, при което се подава въздух, предназначен за консумация от човека, въздушният компресор трябва да бъде оборудван с подходящо оборудване за безопасност. Това допълнително оборудване трябва да може да филтрира и пречиства въздуха, за да отговаря на изискванията на съответните разпоредби.

Обща информация за безопасност

Тъй като използваният въздушен компресор и други компоненти (помпа за материал, пистолети за пръскане, филтри, маркучи и т.н.) съставляват помпена система с високо налягане, винаги трябва да се спазват следните мерки за безопасност:

1. Прочетете внимателно всички ръководства, включени в комплекта на този продукт. Запознайте се добре с управлението и правилното използване на оборудването. Спазвайте всички местни правила за електричество и безопасност. Само на лица, добре запознати с тези правила за безопасна работа, трябва да бъде позволено да използват компресора.
2. Не допускайте посетители и НИКОГА не допускайте деца в работната зона.
3. Носете предпазни очила и използвайте защита на слуха, когато работите с помпата или агрегата.
4. Не стойте върху помпата или агрегата и не ги използвайте като ръкохватка.
5. Преди всяка употреба проверявайте системата за съгъстен въздух и електрическите компоненти за признаци на повреда, влошаване на състоянието, слабост или течове.
6. Поправяйте или заменяйте дефектните елементи преди употреба.
7. Проверявайте всички скрепителни елементи на чести интервали за правилно затягане.
8. **ПРЕДУПРЕЖДЕНИЕ!** Двигателите, електрическото оборудване и органите за управление могат да предизвикат електрическа дъга, която да възпламени запалим газ или пара. Никога не работете и не ремонтирайте във или в близост до запалим газ или пари. Никога не съхранявайте запалими течности или газове в близост до компресора.
9. **ВНИМАНИЕ!** Частите на компресора може да са горещи дори ако уредът е спрял.
10. Дръжте пръстите си далеч от работещ компресор, бързо движещите се и горещи части ще причинят наранявания и/или изгаряния.
11. Ако оборудването започне необичайно да вибрира, Спрете двигателя/мотора и незабавно проверете за причината, вибрациите обикновено са предупреждение за проблем.
12. За да намалите опасността от пожар, поддържайте външната част на двигателя/мотора свободна от масло, разтворител или прекомерно количество грес.
13. **ПРЕДУПРЕЖДЕНИЕ!** Никога не сваляйте или не се опитвайте да регулирате предпазния клапан. Поддържайте предпазния клапан свободен от боя и други натрупвания.
14. **ОПАСНОСТ!** Никога не се опитвайте да ремонтирате или модифицирате резервоара! Заваряването, пробиването или всяка друга модификация ще отслаби резервоара, което ще доведе до повреда от спукване или експлозия. Винаги заменяйте износените или повредени резервоари.
15. **ПРЕДУПРЕЖДЕНИЕ!** Ежедневно източвайте течността от резервоара. Резервоарите ръждясват от натрупването на влага, което отслабва резервоара. Уверете се, че редовно източвате резервоара и периодично го проверявайте за опасни условия, като образуване на ръжда и корозия.
16. Бързо движещият се въздух ще раздвижи прах и отломки, които могат да бъдат вредни. Изпускате въздуха бавно, когато източвате влагата или понижавате налягането в компресорната система.

Предпазни мерки при пръскане

ПРЕДУПРЕЖДЕНИЕ! Не пръскайте запалими материали в близост до открит пламък или до източници на запалване, включително компресорния агрегат.

17. Не пушете, когато пръскате боя, инсектициди или други запалими вещества.
18. Използвайте маска за лице/респиратор, когато пръскате, и пръскайте на добре проветриво място, за да предотвратите опасността за здравето и пожара.
19. Не насочвайте боята или други разпръснати материали към компресора. Разположете компресора възможно най-далеч от зоната на пръскане, за да намалите до минимум натрупването на пръскания материал в компресора.
20. За да намалите опасността от пожар, Разположете компресора далеч от резачката за дърва, за да избегнете засмукването на стърготини в двигателя.
21. Когато пръскате или почиствате с разтворители или токсични химикали, следвайте инструкциите, предоставени от производителя на химикала.

Други важни бележки за безопасност

ПРЕДУПРЕЖДЕНИЕ! От съображения за безопасност машината се доставя с разглобен филтър.

Преди да започнете работа с машината, свържете филтъра към нея съгласно схемата и инструкциите на страница 2.

1. Преди да стартирате машината, свалете пластмасовия капак на главата на машината и монтирайте въздушния филтър и въздушния филтър.
2. Машината може да бъде стартирана само когато смазочното масло отговаря на изискванията и нивото на маслото е на правилното ниво на масления прозорец.
3. Машината не може да бъде пусната в експлоатация, когато напрежението е твърде високо или твърде ниско (допуска се $\pm 5\%$).
4. Когато във въздушния приемник има налягане, не разхлабвайте никакви части на машината.
5. Не регулирайте предпазния клапан по непредпазливост.
6. Не сваляйте щепсела на захранващия кабел, за да спрете машината.
7. Ако газът не може да бъде изпуснат, когато машината спре да работи, проблемът трябва да се провери.
8. Електричеството трябва да се прекъсне, когато машината спре да работи.

Технически данни					
Модел:	BAT5000	BAT5010	BAT5020	BAT5030	BAT5040
Капацитет на резервоара:	24 L	50L	24 L	50L	100L
Входно напрежение ~ честота:	230V 50Hz	230V 50Hz	230V 50Hz	230V 50Hz	230V 50Hz
Изход на двигателя:	2HP	2HP	2.5HP	2.5HP	3HP
Помпа:	Единичен цилиндър 2850 об/мин	Единичен цилиндър 2850 об/мин	Единичен цилиндър 2900 об/мин	Единичен цилиндър 2900 об/мин	Единичен цилиндър 2850 об/мин
Работен обем на въздуха:	6,6cfm (188 л/мин)	6,6cfm (188 л/мин)	8,4cfm (239 л/мин)	8,4cfm (239 л/мин)	14,6cfm (412 л/мин)
Максимално налягане:	8bar (116psi)	8bar (116psi)	10bar (145psi)	10bar (145psi)	10bar (145psi)
Смазване:	SAE30 или SAE 20W-50	SAE30 или SAE 20W-50	SAE30 или SAE 20W-50	SAE30 или SAE 20W-50	SAE30 или SAE 20W-50
Тегло:	нт: 24 кг / бт: 26 кг	нт: 30 кг / бт: 35 кг	нт: 28 кг / бт: 30 кг	нт: 34 кг / бт: 37 кг	нт: 56 кг / бт: 61 кг

* Производителят си запазва правото да прави незначителни промени в дизайна и техническите спецификации на продуктите без предварително уведомление, освен ако тези промени не засягат значително работата и безопасността на продуктите. Частите, описани/илюстрирани на страниците на ръководството, което държите в ръцете си, може да се отнасят и за други модели от продуктовата линия на производителя с подобни характеристики и може да не са включени в току-що придобития от вас продукт.

* За да се гарантира безопасността и надеждността на продукта, както и валидността на гаранцията, всички дейности по ремонт, проверка, поправка или замяна, включително поддръжка и специални настройки, трябва да се извършват само от техници от оторизирания сервизен отдел на производителя.

* Винаги използвайте продукта с доставеното оборудване. Работата на продукта с неосигурено оборудване може да доведе до неизправности или дори до сериозни наранявания или смърт. Производителят и вносителят не носят отговорност за наранявания и щети, произтичащи от използването на несъответстващо оборудване.

Разпаковане и сглобяване (Фиг.1 - Фиг.2)

Извадете компресора от опаковката (Фиг.1).

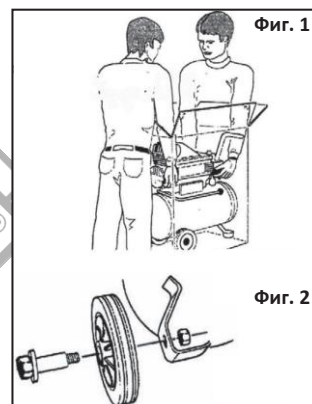
Внимателно огледайте оборудването за липсващи елементи или повреди, причинени по време на транспортирането.

Ако се установи, че нещо липсва или е повредено, свържете се с оторизиран сервизен пункт.

Препоръчваме ви да съхранявате опаковката за срока на гаранционния период. При необходимост ще бъде полезно да върнете компресора в сервизния център.

Монтирайте колелата (вж. фиг. 2) и предните крачета.

Уверете се, че мрежовото напрежение съответства на напрежението, посочено в данните/спецификацията на компресора табелката.



Преди първата употреба

Проверка на нивото на маслото

Преди да използвате компресора, проверете нивото на маслото с помощта на мерителната пръчка. Ако нивото на маслото не е достигнало маркировката, то трябва да се допълни с компресор (вижте фиг. 3).

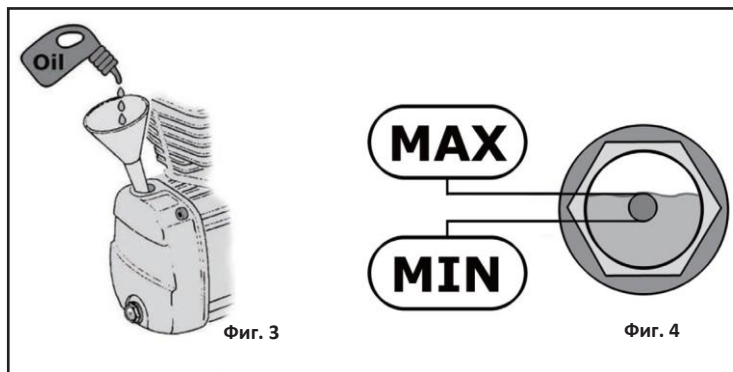
Контролно стъкло / Ниво на маслото:

Нивото на маслото в компресора може да се види през визьора. На Компресорът трябва да е на равна повърхност, за да се измери нивото на маслото. през визьорното стъкло (вж. фиг. 4): Горната част на червената точка показва пълната маркировка.

Долната част на червената точка показва ниското ниво.

Важно: Винаги се уверявайте, че нивото на маслото е правилно, преди да работи с компресора.

ПРЕДУПРЕЖДЕНИЕ! Моля, добавете масло SAE30 или SAE 20W-50, преди да стартирате въздушния компресор.



Уверете се, че работната среда е подходяща за използване:

Компресорът трябва да се използва върху равна, равна повърхност. Максималният безопасен работен ъгъл във всяка посока е 10° градуса (вж. фиг. 5).

- Не използвайте компресора при наклони, надвишаващи 10° градуса.

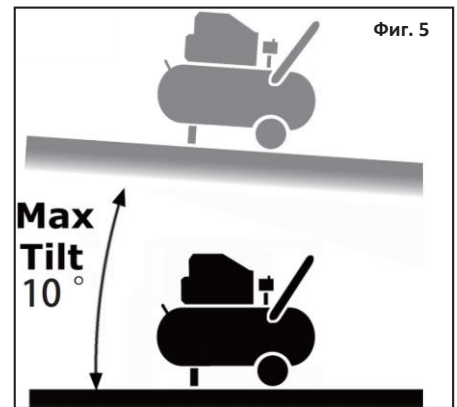
- Никога не използвайте въздушния компресор на гоофтор или в издигнато положение, което може да позволи падане или преобръщане на уреда.

- Използвайте допълнителен маркуч за въздух или издигнати работни места.

Проверете дали захранването е правилно за този компресор:

Важно е въздушният компресор да има подходящо захранване. Препоръчително е да използвате удължител на въздушния маркуч, а не удължител на електрически кабел (кабелна макара), тъй като ниското напрежение може да повреди двигателя. (Повредите, дължащи се на ниско напрежение, не се покриват от гаранцията).

Прочетете и разберете всички инструкции за електрическа безопасност, посочени в това ръководство, спазвайте всички приложими инструкции за безопасност на местните власти.



Инструкции за експлоатация

Стартиране на компресора

Преди да стартирате компресора, се уверете, че превключвателят за налягане ON/OFF (ВКЛ/ИЗКЛ) е в положение "OFF", кранът на регулатора е затворен, а индикаторът на манометъра е в положение "0".

Свържете захранващия щепсел към контакта и включете въздушния компресор, като преместите превключвателя в положение "ON".

Превключвателят за налягане автоматично контролира захранването на двигателя. Той позволява и ръчно управление чрез превключвателя Push/Pull (Натискане/издърпване) - On/Off (Включване/изключване) в горната част на превключвателя за налягане.

Използвайте контролите на превключвателя за налягане, за да включите или изключите компресора. Превключвателят за налягане е от типа "Натискане/издърпване". За да включите компресора "ON", издърпайте копчето на превключвателя нагоре. За да включите компресора "OFF", натиснете копчето надолу.

Превключвателят за налягане е настроен да включва компресора, когато налягането в резервоара падне под 85 psi, и да се изключва отново, когато резервоарът се напълни.

Забележка: Когато стартирате компресора за първи път, оставете го да работи без въздушни инструменти, свързани към изхода за въздух. Уверете се, че налягането в резервоара се повишава и че компресорът спира автоматично при достигане на максималното налягане - тази информация е посочена на табелката с данни и е показана на манометъра.

Сега компресорът ще работи автоматично. Превключвателят за налягане спира двигателя при достигане на максималното налягане в резервоара и го пуска отново, когато налягането падне под минималния праг - приблизително 2 bar (29 psi) по-малко от максималното налягане.

Спиране на компресора

Спрете компресора, като преместите главния прекъсвач в положение "OFF". Съгстеният въздух в главата на компресора ще изтече, което ще улесни повторното стартиране и ще предотврати повреда на двигателя.

Освен при спешни случаи, НЕ спирайте компресора чрез изключване на контакта или чрез изваждане на щепсела, тъй като това ще попречи на процеса на автоматично освобождаване на налягането, което може да доведе до повреда на двигателя при повторното му стартиране.

Когато въздушният компресор работи правилно и работата му е спряна правилно, ще забележите следното:

(1) Съскащ звук при спиране на двигателя.

(2) Продължителен "съскащ" звук (приблизително 20-25 секунди), когато въздушният компресор е включен без налягане в резервоара.

Регулиране на налягането

Изходното налягане се регулира от регулатора на налягането. Повдигнете и завъртете копчето по посока на часовниковата стрелка, за да увеличите налягането, и обратно на часовниковата стрелка, за да го намалите. Натиснете копчето надолу, за да го застопорите в необходимото положение. За да определите правилното работно налягане за всеки елемент от оборудването, проверете съответното ръководство за вашия инструмент.

Когато компресорът не се използва, настройте регулираното налягане на нула, за да не повредите регулатора на налягането.

ПРЕДУПРЕЖДЕНИЕ: Ако двигателят не прекъсва и не се изключва, а работи непрекъснато при използване на въздушен уред, капацитетът на компресора може да е твърде малък за оборудването или инструмента.

Манометърът показва налягането в основния резервоар, а НЕ налягането, подавано към въздушното оборудване (въздушния инструмент). Ако налягането в основния резервоар превиши предварително зададеното максимално изключващо налягане, ще се задейства предпазен клапан. Поради тази причина НЕ променяйте и не регулирайте превключвателя или предпазния клапан.

Когато компресорът не се използва, той трябва да се изключи, да се изключи от електрическото захранване и въздухът да се изтегли от резервоара.



Отстраняване на неизправности в		
ГРЕШКА	ПРИЧИНА	ПОМОЩ
Налягането в резервоара непрекъснато спада.	Изтичане на въздух, проверете всички връзки.	Открийте и отстранете теча. Пуснете компресора при максималното налягане, след което го изключете и прекъснете връзката. Почистете връзките със сапунен разтвор и потърсете мехурчета. Затегнете всички връзки които показват течове. Ако проблемът продължава, свържете се с вашия оторизиран сервиз.
Налягането в резервоара няма да се повиши.	Дренажният клапан е отворен.	Затворете дренажния клапан на резервоара.
Компресорът не се изключва. Предпазният клапан се изпуска. Компресорът не спира при достигане на максималното налягане.	Превключвателят на налягането не спира двигателя. Дефектен превключвател за налягане.	Свържете се с оторизиран сервизен агент.
Налягането в резервоара не се повишава и помпата се нагрява повече от нормалното, а засмукването на входа е слабо.	Уплътнението на главата на компресора или плочата на клапана са дефектни. Грешка във въздушния филтър.	Свържете се с вашия оторизиран сервизен агент. Проверете, почистете и сменете въздушния филтър, ако е необходимо.
Има теч от основата на превключвателя за налягане, когато компресорът работи.	Повреда на предпазния клапан. (Намира се в основата на превключвателя за налягане).	Свържете се с вашия оторизиран сервизен агент.
Има теч от основата на превключвателя за налягане, когато компресорът е спрял.	Възвратният вентил (от резервоара) тече.	Разглобете и почистете, ако е необходимо, сменете вентилната вложка. Свържете се с вашия оторизиран сервизен агент.
Компресорът е шумен, с метални звуци / почуквания.	Проблем с лагера или буталото.	Спрете компресора и се обърнете към специализиран сервизен техник.
Компресорът звучи, сякаш се опитва да стартира (двигателят издава бръмчащ звук).	Въздушното налягане, задържано върху буталото, се противопоставя на усилието за стартиране. Дефектен кондензатор или повреда в електродвигателя.	Изключете и включете устройството с помощта на превключвателя за налягане. Това ще доведе до изпускане на въздух от тръбата за подаване. Спрете компресора и се обърнете към специализиран сервизен техник.
Превключвателят за претоварване е задействан.	Възможно е стартовото натоварване да е активирало превключвателя за претоварване. Удължителният кабел е твърде дълъг (ако се използва). Разтоварващият механизъм на главата не функционира.	Оставете за няколко минути, след което натиснете бутона за нулиране и рестартирайте. Отстранете удължителя и тествайте компресора, като като свържете компресора възможно най-близо до главния кутията с предпазители, колкото е възможно. Спрете компресора и се свържете със специализиран сервизен техник.
Въздухът изтича от предпазния клапан при налягане, по-ниско от 8 bar.	Предпазният клапан е повреден.	Сменете предпазния клапан.
Компресорът спира и не се стартира отново.	Прекъсване на захранването. Повреда на двигателя.	Проверете електрическото захранване и предпазителя. Свържете се с вашия оторизиран сервизен агент.

Поддръжка

Преди да започнете работа по поддръжката на компресора, се уверете в следното:

1. Главният превключвател на захранването е изключен и оборудването е изолирано от електрическата мрежа.
2. Превключвателят за налягането и превключвателите на блока за управление са в положение OFF (изключено)
3. От резервоара за въздух е премахнато цялото налягане.

Операции по поддръжка

1. Изключете захранването, преди да извършвате поддръжка или да изключвате компоненти на компресора.
2. Разположете устройството на сухо и чисто място с добра вентилация.
3. Поставете устройството на равно място и го изолирайте от предмети на разстояние най-малко 100 см.
4. Проверете дали въртенето е в правилната посока, показана със стрелката.

Процедура	Ежедневно/седмично	100 часа	200 часа	400 часа
Проверка на нивото на маслото в помпата	•			
Източване на кондензната вода от резервоара	•			
Проверка за необичаен шум и вибрации	•			
Проверявайте оборудването за въздушни течове	•			
Проверка на въздушните филтри		•		
Смяна на въздушните филтри			•	
Общо почистване	•			
Проверка на предпазния клапан		•		
Проверете и затегнете всички болтове		•		
Проверка на тръбните фитинги и електрическите връзки				•
Сервизна помпа / двигател				•
Вътрешна и външна инспекция на резервоара				•
Сменете маслото				•

Ежедневно

- Уверете се, че нивото на маслото в картера е в рамките на манометъра.
- Изцеждайте контейнера поне веднъж дневно.
- Проверете дали има необичайни звуци или вибрации по време на работа на устройството.
- Проверете дали има нередовна висока температура по време на работа на устройството.

Седмичен

- Ако е необходимо, почистете или сменете частта за вмъкване на почистващата машина.
- Проверете функцията на предпазния клапан, като плъзнете връзката на окачването.
- Проверете функцията на клапана за налягане и освобождаващия клапан.

Сезонно

- Проверете дали не са разхлабени фитинги или винтове.
- Сменяйте маслото след 500 работни часа.
- Проверете напрежението на ремъка.

Проверка/почистване на въздушния филтър

Уверете се, че компресорът е изключен и изключен от източника на захранване.

Оставете помпата на компресора и другите части да се охладят (ако сменят филтъра след употреба).

Отвийте горната част на филтъра от основата на филтъра, като завъртите (обикновено) обратно на часовниковата стрелка (посоката може да варира в зависимост от вашия филтър).

Отделете горния капак на филтъра от основата.

Извадете филтърния елемент от основата на филтъра.

Издухайте праха и замърсяванията от филтърния елемент.

Ако е необходимо, сменете елемента на въздушния филтър.

Свържете отново горната част на филтъра към основата и закрепете филтъра.

Смяна / пълнене на маслото на компресорната помпа

Уверете се, че компресорът е изключен и свързан с източника на захранване.

Оставете помпата на компресора и другите части да изстинат (ако сменят маслото след употреба).

Уверете се, че компресорът е поставен върху плоска и равна повърхност.

Отстранете капачката за пълнене / пробката и поставете контейнер за събиране под капачката за източване на маслото.

Свалете капачката за източване на маслото и оставете маслото да изтече.

Поставете отново капачката за маслото и не забравяйте да затегнете здраво тази гайка (можете да използвате малко PTFE лента върху резбата, за да помогнете за създаването на по-плътно уплътнение, преди да затегнете).

Напълнете резервоара за масло със съвместимо компресорно масло.

Varnostna navodila

Preden poskušate sestaviti, namestiti, uporabljati ali vzdrževati opisani izdelek, natančno preberite ta navodila. Z upoštevanjem vseh varnostnih informacij zaščitite sebe in druge osebe. Neupoštevanje navodil lahko povzroči telesne poškodbe in/ali materialno škodo! Shranite navodila za uporabo v prihodnosti.

Razpakiranje

Pred razpakiranjem paketa in po njem skrbno preglejte, ali so se med prevozom pojavile morebitne poškodbe. Pred začetkom uporabe kompresorja se prepričajte, da so fittingi in vijaki dobro zategnjeni.

OPOZORILO! Kompresorja ne uporabljajte, če je bil poškodovan med prevozom, rokovanjem ali uporabo. Te poškodbe lahko povzročijo eksplozijo in poškodbe ali materialno škodo.

NEVARNOST! Opozorilo o dihalnem zraku

Ta kompresor nima potrebne opreme in se ne sme uporabljati "kot tak" za oskrbo z zrakom, namenjenim za dihanje. Za vsako uporabo, pri kateri se dobavlja zrak, namenjen za prehrano ljudi, mora biti zračni kompresor opremljen z ustrežno varnostno opremo. Ta dodatna oprema mora biti sposobna filtrirati in čistiti zrak, da izpolnjuje zahteve ustreznih predpisov.

Splošne varnostne informacije

Ker zračni kompresor in drugi sestavni deli (črpalka za material, brizgalne pištole, filtri, cevi itd.) sestavljajo visokotlačni črpalni sistem, je treba ves čas upoštevati naslednje varnostne ukrepe:

1. Pozorno preberite vsa navodila, ki so priložena temu izdelku. Temeljito se seznanite z upravljalnimi elementi in pravilno uporabo opreme. Upoštevajte vse lokalne električne in varnostne predpise. Kompresor lahko uporabljajo samo osebe, ki so dobro seznanjene s temi pravili varnega delovanja.
2. Obiskovalcem ne dovolite vstopa v delovno območje in NIKOLI ne dovolite vstopa otrokom.
3. Med upravljanjem črpalke ali enote nosite zaščitna očala in uporabljajte zaščito sluha.
4. Na črpalki ali enoti ne stojte in je ne uporabljajte kot držalo.
5. Pred vsako uporabo preglejte sistem za stisnjen zrak in električne sestavne dele, če se pojavijo znaki poškodb, poslabšanja, slabosti ali puščanja.
6. Pred uporabo popravite ali zamenjajte okvarjene elemente.
7. V pogostih časovnih presledkih preverite vse pritrdilne elemente glede njihove ustrezne tesnosti.
8. **OPOZORILO!** Motorji, električna oprema in krmilniki lahko povzročijo električni oblok, ki vžge vnetljiv plin ali paro. Nikoli ne upravljajte ali popravljajte v bližini vnetljivega plina ali hlapov ali v njihovi bližini. Nikoli ne shranjujte vnetljivih tekočin ali plinov v bližini kompresorja.
9. **POZOR!** Deli kompresorja so lahko vroči, tudi če je naprava ustavljena.
10. Držite prste stran od delujočega kompresorja, hitro premikajoči se in vroči deli lahko povzročijo poškodbe in/ali opekline.
11. Če oprema začne nenormalno vibrirati, zaustavite motor/motor in takoj preverite vzrok, vibracije so običajno opozorilo na težave.
12. Da bi zmanjšali nevarnost požara, na zunanosti motorja/motorja ne smete imeti olja, topila ali pretirane maščobe.
13. **OPOZORILO!** Nikoli ne odstranjujte varnostnega ventila ali ga poskušajte nastaviti. Varnostni ventil naj ne bo onesažen z barvo in drugimi nakopičenimi snovmi.
14. **NEVARNOST!** Nikoli ne poskušajte popravljati ali spreminjati rezervoarja! Varjenje, vrtanje ali kakršno koli drugo spreminjanje oslabi rezervoar, kar lahko povzroči poškodbe zaradi porušitve ali eksplozije. Obrabljene ali poškodovane rezervoarje vedno zamenjajte.
15. **OPOZORILO!** Vsak dan iz rezervoarja izpraznite tekočino. Rezervoarji rjavijo zaradi kopičenja vlage, ki oslabi rezervoar. Poskrbite za redno praznjenje rezervoarja in občasno preglejte, ali ni nevaren, kot sta nastajanje rje in korozija.
16. Hitro gibajoči se zrak bo vnesel prah in ostanke, ki so lahko škodljivi. Pri praznjenju vlage ali razbremenjevanju sistema kompresorja zrak spuščajte počasi.

Previdnostni ukrepi pri škropljenju

OPOZORILO! Ne pršite vnetljivih materialov v bližini odprtega ognja ali v bližini virov vžiga, vključno s kompresorsko enoto.

17. Ne kadite, ko pršite barve, insekticide ali druge vnetljive snovi.
18. Pri pršenju uporabljajte masko za obraz/respirator in pršite v dobro prezračenem prostoru, da preprečite nevarnost za zdravje in požar.
19. Ne usmerjajte barve ali drugih razpršenih snovi na kompresor. Kompresor namestite čim dlje od območja škropljenja, da se v kompresorju čim manj nabira škropiva.
20. Da bi zmanjšali nevarnost požara, kompresor namestite daleč stran od rezalnika lesa, da se žagovina ne bi priselala v motor.
21. Pri pršenju ali čiščenju s toplimi ali strupenimi kemikalijami upoštevajte navodila proizvajalca kemikalije.

Druge pomembne varnostne opombe

OPOZORILO! Iz varnostnih razlogov je stroj dobavljen z razstavljenim filtrom.

Pred začetkom uporabe priključite filter na stroj v skladu s shemo in navodili na strani 2.

1. Pred zagonom stroja odstranite plastični pokrov na glavi stroja ter namestite zračni filter in zračnik.
2. Stroj se lahko zažene šele, ko mazalno olje ustreza zahtevam in je raven olja na pravi ravni oljnega okna.
3. Naprave ni mogoče upravljati, če je napetost previsoka ali prenizka (dovoljeno je $\pm 5\%$).
4. Ko je v sprejemniku zraka tlak, ne sprostite nobenega dela stroja.
5. Varnostnega ventila ne nastavljajte naključno.
6. Če želite ustaviti stroj, ne izvlecite vtiča.
7. Če plina ni mogoče izpustiti, ko stroj preneha delovati, je treba preveriti težavo.
8. Ko stroj preneha delovati, je treba prekiniti napajanje z električno energijo.

Tehnični podatki					
Model:	BAT5000	BAT5010	BAT5020	BAT5030	BAT5040
Prostornina rezervoarja:	24 L	50L	24 L	50L	100L
Vhodna napetost ~ frekvenca:	230V 50Hz	230V 50Hz	230V 50Hz	230V 50Hz	230V 50Hz
Izhodna moč motorja:	2HP	2HP	2,5 KM	2,5 KM	3HP
Črpalka:	Enojni cilinder 2850 rpm	Enojni cilinder 2850 rpm	Enojni cilinder 2900 rpm	Enojni cilinder 2900 rpm	Enojni cilinder 2850 rpm
Prostornina zraka:	6,6 cm ³ (188 L/min)	6,6 cm ³ (188 L/min)	8,4 cm ³ (239 L/min)	8,4 cm ³ (239 L/min)	14,6 cm ³ (412 L/min)
Najvišji tlak:	8bar (116psi)	8bar (116psi)	10bar (145psi)	10bar (145psi)	10bar (145psi)
Mazanje:	SAE30 ali SAE 20W-50	SAE30 ali SAE 20W-50	SAE30 ali SAE 20W-50	SAE30 ali SAE 20W-50	SAE30 ali SAE 20W-50
Teža:	NT: 24 kg / BT: 26 kg	NT: 30 kg / BT: 35 kg	NT: 28 kg / BT: 30 kg	NT: 34 kg / BT: 37 kg	NT: 56 kg / BT: 61 kg

* Proizvajalec si pridržuje pravico do manjših sprememb zasovne in tehničnih specifikacij izdelka brez predhodnega obvestila, razen če te spremembe bistveno vplivajo na delovanje in varnost izdelkov. Deli, opisani/prikazani na straneh priročnika, ki ga držite v rokah, se lahko nanašajo tudi na druge modele proizvajalčeve linije izdelkov s podobnimi lastnostmi in morda niso vključeni v izdelek, ki ste ga pravkar pridobili.

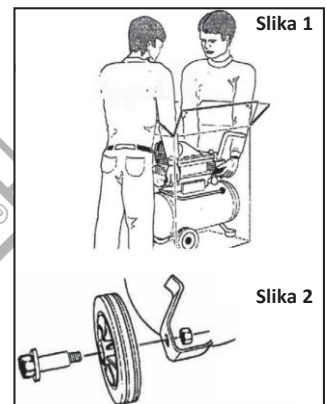
* Da bi zagotovili varnost in zanesljivost izdelka ter veljavnost garancije, lahko vsa popravila, preglede, popravila ali zamenjave, vključno z vzdrževanjem in posebnimi nastavitvami, opravljajo le tehniki pooblaščenega servisnega oddelka proizvajalca.

* Izdelek vedno uporabljajte s priloženo opremo. Uporaba izdelka z opremo, ki ni priložena, lahko povzroči motnje v delovanju ali celo hude telesne poškodbe ali smrt. Proizvajalec in uvoznik nista odgovorna za poškodbe in škodo, ki so posledica uporabe neustrezne opreme.

Razpakiranje in montaža (Slika 1 - Slika 2)

Kompresor odstranite iz embalaže (slika 1).
 Opremo skrbno preglejte, če manjkajo kakšni predmeti ali če je bila poškodovana med prevozom.
 Če ugotovite, da kar koli manjka ali je poškodovano, se obrnite na pooblaščen servisno točko.
 Priporočamo, da embalažo shranite za čas trajanja garancijskega obdobja. Po potrebi boste kompresor lažje vrnili na servisni center.

Namestite kolesa (glejte sliko 2) in sprednje noge.
 Prepričajte se, da omrežna napetost ustreza napetosti, navedeni v podatkih/ specifikacijah kompresorja, na ploščici.



Pred prvo uporabo

Preverite raven olja

Pred uporabo kompresorja preverite nivo olja s pomočjo merilne palice. Če olja ni do oznake, ga je treba dolivati s kompresorskim oljem (glejte sliko 3).

Merilno steklo / nivo olja:

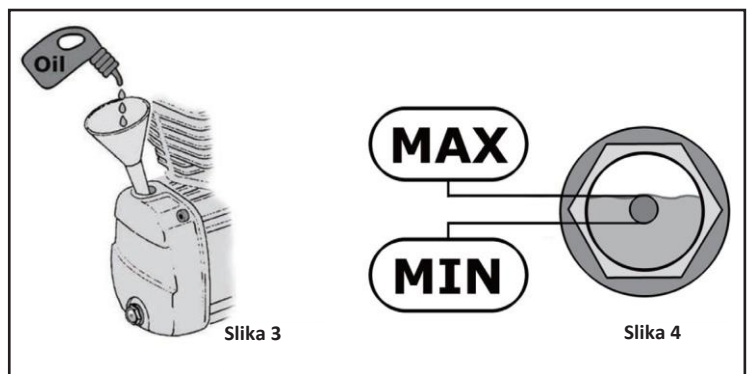
Nivo olja v kompresorju lahko preverite skozi pregledno steklo. Na spletni strani kompresor mora biti na ravni površini, da lahko izmerite raven olja. natančno izmeriti količino olja skozi vizirno steklo (glejte sliko 4):

Vrh rdeče pike označuje polno oznako.

Spodnji del rdeče pike označuje nizko raven.

Pomembno: Vedno se prepričajte, da je nivo olja pravilen, preden uporabite kompresorja.

OPOZORILO! Pred zagonom kompresorja dodajte olje SAE30 ali SAE 20W-50. zračnega kompresorja.



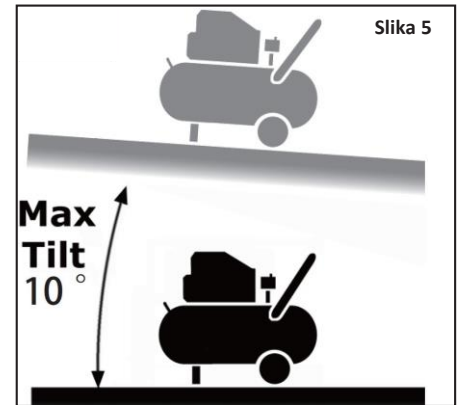
Zagotovite, da je delovno okolje primerno za uporabo:

Kompresor je treba uporabljati na ravni in ravni površini. Največji varni kot delovanja v katero koli smer je 10° stopinj (glejte sliko 5).

- Kompresorja ne uporabljajte na naklonih, ki presegajo 10° stopinj.
- Zračnega kompresorja nikoli ne uporabljajte na spletni strani rooftop ali na dvignjenem mestu, na katerem bi lahko enota padla ali se prevrnila.
- Uporabite dodatno zračno cev ali dvignjena delovna mesta.

Preverite, ali je napajanje z električno energijo pravilno za ta kompresor:

Pomembno je, da ima zračni kompresor ustrezno napajanje. Priporočljivo je, da uporabite podaljšek zračne cevi in ne podaljšek električnega kabla (kabelski kolut), saj bi nizka napetost lahko poškodovala motor. (Poškodbe zaradi nizke napetosti niso zajete v garanciji). Preberite in razumite vsa navodila za električno varnost, navedena v tem priročniku, upoštevajte vsa veljavna varnostna navodila lokalnih organov.

**Navodila za uporabo****Zagon kompresorja**

Pred zagonom kompresorja se prepričajte, da je tlačno stikalo ON/OFF v položaju "OFF", da je pipa regulatorja zaprta in da je indikator manometra v položaju "0".

Priključite vtič v vtičnico in vklopite zračni kompresor tako, da premaknete stikalo v položaj "ON".

Tlačno stikalo samodejno nadzoruje napajanje motorja. Omogoča tudi ročno upravljanje s stikalom Push/Pull - On/Off na zgornji strani kompresorja. tlačnega stikala.

Za vklop ali izklop kompresorja uporabite upravljalne elemente tlačnega stikala. Tlačno stikalo je tip stikala push/pull. Če želite kompresor vklopiti, potegnite gumb stikala navzgor. Če želite kompresor izklopiti, potisnite gumb navzdol.

Tlačno stikalo je nastavljeno tako, da vklopi kompresor, ko tlak v rezervoarju pade pod 85 psi, in se ponovno izklopi, ko je rezervoar poln.

Opomba: Ko kompresor prvič zaženete, ga pustite delovati, ne da bi bilo na izhod za zrak priključeno zračno orodje. Prepričajte se, da tlak v rezervoarju narašča in da se kompresor samodejno ustavi, ko doseže najvišji tlak - ta podatek je naveden na ploščici s podatki in prikazan na manometru.

Kompresor bo zdaj deloval samodejno. Tlačno stikalo ustavi motor, ko je dosežen najvišji tlak v rezervoarju, in ga ponovno zažene, ko tlak pade pod najnižjo mejno vrednost - približno 2 bara (29 psi) manj od najvišjega tlaka.

Ustavitev kompresorja

Kompresor zaustavite tako, da glavno stikalo premaknete v položaj "OFF". Stisnjen zrak v glavi kompresorja bo iztekel, kar bo olajšalo ponovni zagon in preprečilo poškodbo motorja.

Razen v nujnih primerih kompresorja NE zaustavljajte z izklopom omrežne vtičnice ali z izvlečenjem vtiča, saj s tem preprečite postopek samodejnega sproščanja tlaka in lahko pri ponovnem zagonu poškodujete motor.

Ko zračni kompresor deluje pravilno in je delovanje pravilno zaustavljeno, boste opazili naslednje:

- (1) Sikanje ob ustavitvi motorja.
- (2) Dolgotrajno sikanje (približno 20-25 sekund), ko je kompresor vklopljen brez tlaka v rezervoarju.

Regulacija tlaka

Izhodni tlak uravnava regulator tlaka. Dvignite in zavrtite gumb v smeri urinega kazalca, da povečate tlak, in v nasprotni smeri urinega kazalca, da ga zmanjšate. Potisnite gumb navzdol, da se zaskoči v zelenem položaju. Za določitev pravičnega delovnega tlaka za kateri koli del opreme preverite ustrezen priročnik za vaše orodje.

Kadar kompresorja ne uporabljate, nastavite regulirani tlak na nič, da ne poškodujete regulatorja tlaka.

OPOZORILO: Če se motor med uporabo zračne naprave ne izklopi in izklopi, temveč deluje neprekinjeno, je zmogljivost kompresorja morda premajhna za opremo ali orodje.

Manometer kaže tlak v glavnem rezervoarju in NE tlak, ki se dobavlja v zračno opremo (zračno orodje). Če tlak v glavnem rezervoarju preseže nastavljeni najvišji izklopni tlak, se aktivira varnostni ventil. Zaradi tega NE spreminjajte ali nastavljajte stikala ali varnostnega ventila.

Ko kompresorja ne uporabljate, ga je treba izklopiti, odklopiti iz električnega omrežja in iz rezervoarja odvzeti zrak.



Odpravljanje težav na spletnem mestu		
NAPAKA	VZROK	REŠEVANJE
Tlak v rezervoarju nenehno pada.	Puščanje zraka, preverite vse priključke.	Poiščite in odpravite puščanje. Kompresor poganjajte pri največjem tlaku, nato ga izklopite in odklopite. S čopičem z milnico premažite priključke in poiščite mehurčke. Zategnite vse priključke, ki puščajo. Če se težava ne odpravi, se obrnite na pooblaščenega serviserja.
Tlak v rezervoarju se ne poveča.	Izpustni ventil je odprt.	Zaprte izpustni ventil rezervoarja.
Kompresor se ne izklopi. Varnostni ventil se odpihne. Kompresor se ne ustavi, ko je dosežen najvišji tlak.	Tlačno stikalo ne ustavi motorja. Napačno tlačno stikalo.	Obrnite se na pooblaščenega serviserja.
Tlak v rezervoarju se ne poveča, črpalka se segreva bolj kot običajno, sesanje v dovodu je slabo.	Tesnilo glave kompresorja ali plošča ventila je okvarjena. Napaka na zračnem filtru.	Obrnite se na pooblaščenega serviserja. Po potrebi preverite, očistite in zamenjajte zračni filter.
Med delovanjem kompresorja prihaja do puščanja iz spodnjega dela tlačnega stikala.	Okvara varnostnega ventila. (Nahaja se v podstavku tlačnega stikala).	Obrnite se na pooblaščenega serviserja.
Ko se kompresor ustavi, prihaja do puščanja iz podstavka tlačnega stikala.	Povratni ventil (iz rezervoarja) pušča.	Demontirajte in očistite, po potrebi zamenjajte ventilni vložek. Obrnite se na pooblaščenega serviserja.
Kompresor je glasen, saj se v njem slišijo kovinski zvoki in udarci.	Težava z ležajem ali batom.	Ustavite kompresor in se obrnite na specializiranega serviserja.
Kompresor se sliši, kot da se poskuša zagnati (motor brenči).	Zračni tlak, ujet na bat, se upira zagonu. Napačen kondenzator ali napaka v električnem motorju.	S tlačnim stikalom izklopite in ponovno vklopite enoto. S tem se iz dovodne cevi izpusti zrak. Ustavite kompresor in se obrnite na specializiranega serviserja.
Stikalo za preobremenitev je aktivirano.	Obremenitev ob zagonu ima morda aktivirano stikalo za preobremenitev. Podaljševalni kabel je predolg (če se uporablja). Razbremenilnik glave ne deluje	Pustite ga nekaj minut, nato pritisnite gumb za ponastavitev in ga znova zaženite. Odstranite podaljšek in preizkusite kompresor tako, da ga priključite čim bližje glavni škatli z varovalkami. Ustavite kompresor in se obrnite na specializirano službo servisnega strokovnjaka.
Zrak uhaja iz varnostnega ventila pri tlakih, manjših od 8 barov.	Varnostni ventil je okvarjen.	Zamenjajte varnostni ventil.
Kompresor se ustavi in se ne zažene znova.	Izpad električne energije. Okvara motorja.	Preverite električno napajanje in varovalko. Obrnite se na pooblaščenega serviserja.

Vzdrževanje

Pred kakršnim koli vzdrževanjem kompresorja se prepričajte o naslednjem:

1. Glavno stikalo je izklopljeno in oprema je izklopljena iz električnega omrežja.
2. Tlačno stikalo in stikala krmilne enote so v položaju OFF.
3. Iz zračnega rezervoarja je odstranjen ves tlak.

Vzdrževalne dejavnosti

1. Pred vzdrževanjem ali odklopom katerega koli sestavnega dela kompresorja izklopite napajanje.
2. Enoto namestite na suho in čisto mesto z dobrim prezračevanjem.
3. Napravo postavite na ravno mesto in jo vsaj 100 cm oddaljite od predmetov.
4. Preverite, ali se vrtilni pravi smeri, ki jo kaže puščica.

Postopek	Dnevno/tedensko	100 ur	200 ur	400 ur
Preverite nivo olja v črpalki	•			
Izpustite kondenzirano vodo iz rezervoarja	•			
Preverite nenavaden hrup in vibracije.	•			
Preverite, ali oprema pušča zrak.	•			
Preverite zračne filtre		•		
Zamenjajte zračne filtre			•	
Splošno čiščenje	•			
Preverite varnostni ventil		•		
Preverite in zategnite vse vijake		•		
Preverite cevne napeljave in električne povezave				•
Servisna črpalka / motor				•
Notranji in zunanji pregled rezervoarja				•
Zamenjajte olje				•

Dnevno

- Prepričajte se, da je nivo olja v karterju znotraj merilnika olja.
- Vsaj enkrat na dan izpraznite posodo.
- Preverite, ali med delovanjem enote prihaja do nenavadnih zvokov ali vibracij.
- Preverite, ali je med delovanjem enote prišlo do nepravilne visoke temperature.

Tedensko

- Po potrebi očistite ali zamenjajte vstavljeni del čistilnika.
- Delovanje varnostnega ventila preverite tako, da povlečete vzmetni člen.
- Preverite delovanje tlačnega in razbremenilnega ventila.

Sezonsko

- Preverite, ali je kakšen priključek ali vijak zrahljan.
- Olje zamenjajte po 500 delovnih urah.
- Preverite napetost jermena.

Preverjanje/čiščenje zračnega filtra

Prepričajte se, da je kompresor izklopljen in odklopljen od vira napajanja.

Počakajte, da se črpalka kompresorja in drugi deli ohladijo (če menjate filter po uporabi).

Odvijte zgornji del filtra s podstavka filtra z vrtenjem (na splošno) v nasprotni smeri urinega kazalca (smer se lahko razlikuje glede na vaš filter).

Zgornji pokrov filtra ločite od podstavka.

Odstranite filtrirni element s podstavka filtra.

Iz filtrirnega elementa izpihajte prah in nečistoče.

Po potrebi zamenjajte element zračnega filtra.

Zgornji del filtra ponovno povežite s podstavkom in pritrdite filter.

Menjava / polnjenje olja za kompresorsko črpalko

Prepričajte se, da je kompresor izklopljen in odklopljen od vira napajanja.

Počakajte, da se kompresorska črpalka in drugi deli ohladijo (če menjate olje po uporabi).

Prepričajte se, da je kompresor na ravni in položni površini.

Odstranite pokrovček / čep za polnjenje in postavite posodo za zbiranje pod pokrovček za izpust olja.

Odstranite pokrovček za izpust olja in pustite, da olje izteče.

Namestite pokrovček za olje in se prepričajte, da je matica dobro privita (pred privijanjem lahko na navoj nanesete nekaj PTFE traku, da bo tesneje tesnil).

Rezervoar za olje napolnite z združljivim kompresorskim oljem.

Instrucțiuni de siguranță

Vă rugăm să citiți cu atenție aceste instrucțiuni înainte de a încerca să asamblați, instalați, folosiți sau întrețineți produsul descris. Protejați-vă pe dumneavoastră și pe alte persoane respectând toate informațiile de siguranță. Nerespectarea instrucțiunilor poate duce la vătămări corporale și/sau daune materiale! Păstrați instrucțiunile pentru referințe viitoare.

Despachetarea

Înainte și după despachetarea pachetului, inspectați cu atenție orice deteriorare care ar fi putut apărea în timpul transportului. Asigurați-vă că fittingurile, șuruburile sunt strânse înainte de a pune compresorul în funcțiune.

AVERTISMENT! Nu folosiți compresorul dacă a fost deteriorat în timpul transportului, manipulării sau utilizării. Aceste deteriorări pot duce la spargere și pot provoca răniri sau daune materiale.

PERICOL! Avertisment privind aerul respirabil

Acest compresor nu dispune de echipamentul necesar și nu trebuie utilizat "ca atare" pentru a furniza aer destinat respirației. Pentru orice aplicație în care aerul este furnizat pentru consumul uman, compresorul de aer trebuie să fie dotat cu echipamentul de siguranță corespunzător. Acest echipament suplimentar trebuie să fie capabil să filtreze și să purifice aerul pentru a îndeplini cerințele reglementărilor relevante.

Informații generale de siguranță

Deoarece compresorul de aer și celelalte componente (pompa de material, pistoalele de pulverizare, filtrele, furtunurile etc.) utilizate constituie un sistem de pompare de înaltă presiune, trebuie respectate în permanență următoarele măsuri de siguranță:

1. Citiți cu atenție toate manualele incluse cu acest produs. Familiarizați-vă temeinic cu comenzile și cu utilizarea corectă a echipamentului. Respectați toate codurile electrice și de siguranță locale. Numai persoanele care cunosc bine aceste reguli de funcționare în condiții de siguranță ar trebui să fie autorizate să utilizeze compresorul.
2. Țineți vizitatorii la distanță și nu permiteți NICIODATĂ accesul copiilor în zona de lucru.
3. Purtați ochelari de protecție și folosiți protecție auditivă atunci când operați pompa sau unitatea.
4. Nu stați pe pompă sau pe unitate și nu folosiți pompa sau unitatea ca punct de sprijin.
5. Înainte de fiecare utilizare, inspectați sistemul de aer comprimat și componentele electrice pentru a vedea dacă există semne de deteriorare, deteriorare, slăbiciune sau scurgeri.
6. Reparați sau înlocuiți elementele defecte înainte de utilizare.
7. Verificați la intervale frecvente elementele de fixare pentru a verifica dacă sunt bine strânse.
8. **AVERTISMENT!** Motoarele, echipamentele electrice și comenzile pot provoca arcuri electrice care vor aprinde un gaz sau vapori inflamabili. Nu operați sau reparați niciodată în sau în apropierea unui gaz sau vapori inflamabili. Nu depozitați niciodată lichide sau gaze inflamabile în apropierea compresorului.
9. **ATENȚIE!** Părțile compresorului pot fi fierbinți chiar dacă unitatea este oprită.
10. Țineți degetele la distanță de un compresor în funcțiune, piesele în mișcare rapidă și fierbinți vor provoca răniri și/sau arsuri.
11. Dacă echipamentul începe să vibreze în mod anormal, Opriți motorul/motor și verificați imediat cauza, vibrațiile sunt în general un avertisment de probleme.
12. Pentru a reduce pericolul de incendiu, păstrați exteriorul motorului/motorului fără ulei, solvent sau grăsime excesivă.
13. **AVERTISMENT!** Nu scoateți niciodată și nu încercați să reglați supapa de siguranță. Păstrați supapa de siguranță liberă de vopsea și alte acumulări.
14. **PERICOL!** Nu încercați niciodată să reparați sau să modificați un rezervor! Sudarea, găurirea sau orice altă modificare va slăbi rezervorul, ceea ce va duce la deteriorări prin rupere sau explozie. Înlocuiți întotdeauna rezervoarele uzate sau deteriorate.
15. **AVERTISMENT!** Scurgeți zilnic lichidul din rezervor. Rezervoarele ruginesc din cauza acumulării de umiditate, care slăbește rezervorul. Asigurați-vă că goliți rezervorul în mod regulat și inspectați-l periodic pentru a detecta condiții nesigure, cum ar fi formarea de rugină și coroziune.
16. Aerul în mișcare rapidă va agita praful și resturile, care pot fi dăunătoare. Eliberați aerul încet atunci când goliți umiditatea sau când depresurizați sistemul compresorului.

Precauții de pulverizare

AVERTISMENT! Nu pulverizați materiale inflamabile în apropierea unei flăcări deschise sau în apropierea unor surse de aprindere, inclusiv a unității compresorului.

17. Nu fumați atunci când pulverizați vopsea, insecticide sau alte substanțe inflamabile.
18. Folosiți o mască de față/respirator atunci când pulverizați și pulverizați într-o zonă bine ventilată pentru a preveni riscurile de sănătate și de incendiu.
19. Nu îndreptați vopseaua sau alte materiale pulverizate spre compresor. Amplasați compresorul cât mai departe posibil de zona de pulverizare pentru a minimiza acumularea de material pulverizat în compresor.
20. Pentru a reduce pericolul de incendiu, amplasați compresorul la distanță de dispozitivul de tăiere a lemnului pentru a evita ca rumegușul să fie aspirat în motor.
21. Atunci când pulverizați sau curățați cu solvenți sau substanțe chimice toxice, respectați instrucțiunile furnizate de producătorul substanțelor chimice.

Alte note importante privind siguranța

AVERTISMENT! Din motive de siguranță, mașina este livrată cu filtrul dezasamblat.

Conectați filtrul la mașină înainte de a o pune în funcțiune, în conformitate cu schema și instrucțiunile de la pagina 2.

1. Înainte de a porni mașina, scoateți capacul de plastic de pe capul mașinii și instalați filtrul de aer și aerisitorul
2. Mașina poate fi pornită numai atunci când uleiul de lubrifiere îndeplinește cerințele și nivelul de ulei se află la nivelul corect al ferestrei de ulei.
3. Mașina nu poate fi operată atunci când tensiunea este prea mare sau prea mică (este permisă o tensiune de $\pm 5\%$).
4. Atunci când există presiune în rezervorul de aer, nu slăbiți nicio piesă a mașinii.
5. Nu reglați întâmplător supapa de siguranță.
6. Nu scoateți fișa de alimentare pentru a opri aparatul.
7. Dacă gazul nu poate fi evacuat atunci când aparatul nu mai funcționează, problema trebuie verificată.
8. Energia electrică trebuie să fie întreruptă atunci când aparatul nu mai funcționează.

Date tehnice					
Model:	BAT5000	BAT5010	BAT5020	BAT5030	BAT5040
Capacitatea rezervorului:	24 L	50L	24 L	50L	100L
Tensiune de intrare ~ Frecvență:	230V 50Hz	230V 50Hz	230V 50Hz	230V 50Hz	230V 50Hz
Ieșirea motorului:	2HP	2HP	2.5HP	2.5HP	3HP
Pompă:	Un singur cilindru 2850rpm	Un singur cilindru 2850rpm	Un singur cilindru 2900rpm	Un singur cilindru 2900rpm	Un singur cilindru 2850rpm
Deplasarea aerului:	6.6cfm (188 L/min)	6.6cfm (188 L/min)	8.4cfm (239 L/min)	8.4cfm (239 L/min)	14.6cfm (412 L/min)
Presiune maximă:	8bar (116psi)	8bar (116psi)	10bar (145psi)	10bar (145psi)	10bar (145psi)
Lubrifiere:	SAE30 sau SAE 20W-50	SAE30 sau SAE 20W-50	SAE30 sau SAE 20W-50	SAE30 sau SAE 20W-50	SAE30 sau SAE 20W-50
Greutate:	GN: 24kg / GB: 26kg	GN: 30kg / GB: 35kg	GN: 28kg / GB: 30kg	GN: 34kg / GB: 37kg	GN: 56kg / GB: 61kg

* Producătorul își rezervă dreptul de a aduce modificări minore la designul și specificațiile tehnice ale produsului fără notificare prealabilă, cu excepția cazului în care aceste modificări afectează în mod semnificativ performanța și siguranța produselor. Piese descrise / ilustrate în paginile manualului pe care îl țineți în mâini pot viza și alte modele din linia de produse ale producătorului cu caracteristici similare și pot să nu fie incluse în produsul pe care tocmai l-ați achiziționat.

* Pentru a asigura siguranța și fiabilitatea produsului, precum și valabilitatea garanției, toate lucrările de reparații, inspecții, reparații sau înlocuiri, inclusiv întreținerea și reglaje speciale, trebuie efectuate numai de către tehnicieni ai departamentului de service autorizat al producătorului.

* Utilizați întotdeauna produsul cu echipamentul furnizat. Funcționarea produsului cu echipamente care nu sunt furnizate poate cauza defecțiuni sau chiar vătămări grave sau chiar moartea. Producătorul și importatorul nu sunt răspunzători pentru vătămările și daunele rezultate din utilizarea unui echipament neconform.

Despachetare și asamblare (Fig.1 - Fig.2)

Scoateți compresorul din ambalaj (Fig.1).

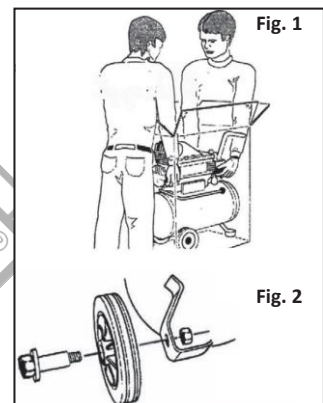
Inspectați cu atenție echipamentul pentru a vedea dacă lipsesc elemente sau dacă există deteriorări cauzate în timpul transportului.

Dacă se constată că lipsește ceva sau că este deteriorat, contactați un punct de service autorizat.

Vă recomandăm să păstrați ambalajul pe durata perioadei de garanție. Dacă este necesar, va fi mai ușor să returnați compresorul la centrul de service.

Montați roțile (a se vedea Fig.2) și picioarele din față.

Confirmați că tensiunea de rețea corespunde cu cea indicată pe datele/specificațiile compresorului plăcuța cu date și specificații a compresorului.



Înainte de prima utilizare

Verificați nivelul de ulei

Înainte de a utiliza compresorul, verificați nivelul uleiului cu ajutorul joiței de ulei. În cazul în care uleiul nu este până la semn, acesta trebuie completat cu ulei de compresor (a se vedea Fig.3).

Vizor / Nivelul uleiului:

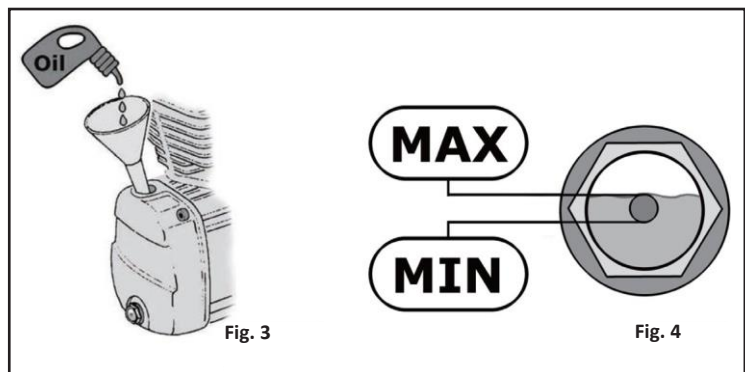
Nivelul de ulei al compresorului poate fi vizualizat prin vizorul de vizibilitate. Compresorul trebuie să se afle pe o suprafață plană pentru a măsura nivelul de ulei prin vizor cu precizie (a se vedea Fig.4):

Partea superioară a punctului roșu indică marcajul plin.

Partea de jos a punctului roșu indică marcajul scăzut.

Important: Asigurați-vă întotdeauna că nivelul uleiului este corect înainte de a pune în funcțiune compresorul.

AVERTISMENT! Vă rugăm să adăugați ulei SAE30 sau SAE 20W-50 înainte de a porni compresorul. compresorul de aer.



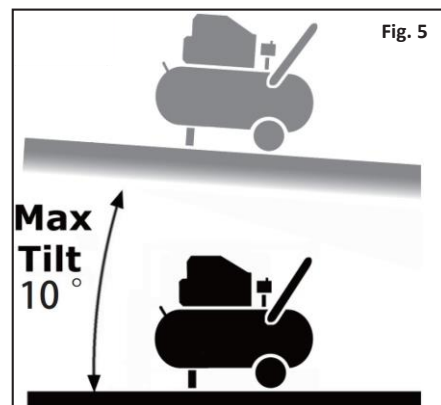
Asigurați-vă că mediul de lucru este adecvat pentru utilizare:

Acest compresor trebuie să fie utilizat pe o suprafață plană și nivelată. Unghiul maxim de operare sigură în orice direcție este de 10° grade (a se vedea Fig.5) .

- Nu folosiți compresorul pe înclinații mai mari de 10° grade.
- Nu utilizați niciodată compresorul de aer pe rooftop sau într-o poziție ridicată care ar putea permite căderea sau răsturnarea unității.
- Folosiți un furtun de aer suplimentar sau locuri de muncă ridicate.

Verificați dacă alimentarea cu energie electrică este corectă pentru acest compresor:

Este important ca compresorul de aer să aibă o sursă de alimentare adecvată. Se recomandă utilizarea unei extensii de furtun de aer mai degrabă decât a unei extensii de cablu electric (înfășurătoare de cablu), deoarece tensiunea scăzută ar putea deteriora motorul. (Deteriorările datorate tensiunii scăzute nu sunt acoperite de garanție). Citiți și înțelegeți toate instrucțiunile de siguranță electrică specificate în acest manual, respectați toate instrucțiunile aplicabile instrucțiunii de siguranță aplicabile ale autorităților locale.

**Instrucțiuni de utilizare****Pornirea compresorului**

Înainte de a porni compresorul, asigurați-vă că presostatul ON/OFF (PORNIT/OPRIT) este în poziția "OFF", robinetul regulatorului este închis, iar indicatorul manometrului este la "0".

Conectați fișa de alimentare la priza de alimentare și porniți compresorul de aer mutând comutatorul în poziția "ON".

Comutatorul de presiune controlează automat alimentarea motorului. Acesta permite, de asemenea, operarea manuală prin intermediul comutatorului Împingeți / Trageți - On/Off din partea superioară a comutatorului de presiune.

Utilizați comenzile comutatorului de presiune pentru a porni sau opri compresorul. Comutatorul de presiune este un comutator de tip Împingeți / Trageți . Pentru a porni compresorul "ON", trageți butonul comutatorului în sus. Pentru a opri compresorul "OFF" împingeți butonul în jos.

Comutatorul de presiune este setat să pornească compresorul atunci când presiunea din rezervor scade sub 85 psi și să se oprească din nou atunci când rezervorul este plin.

Notă: Când porniți compresorul pentru prima dată, lăsați-l să funcționeze fără ca nicio unealtă pneumatică să fie conectată la ieșirea de aer. Asigurați-vă că presiunea din rezervor crește și că compresorul se oprește automat atunci când este atinsă presiunea maximă - aceste informații sunt indicate pe plăcuța cu specificații de date și afișate pe manometru.

Compresorul va funcționa acum în mod automat. Presostatul oprește motorul atunci când este atinsă presiunea maximă din rezervor și îl repornește atunci când presiunea scade sub pragul minim - cu aproximativ 2 bar (29psi) mai puțin decât presiunea maximă.

Oprirea compresorului

Opriti compresorul prin deplasarea întrerupătorului principal în poziția "OFF". Aerul comprimat din interiorul capului compresorului va ieși, facilitând repornirea și împiedicând deteriorarea motorului.

Cu excepția cazului în care există o urgență, NU opriti compresorul prin deconectarea prizei de curent sau prin scoaterea ștecherului, deoarece acest lucru va împiedica procesul automat de eliberare a presiunii, cu posibilitatea de a deteriora motorul la repornire. Atunci când compresorul de aer funcționează corect și operațiunea este oprită corect, veți observa următoarele:

- (1) Un sunet de "șuierat" atunci când motorul este oprit.
- (2) Un sunet prelungit de "șuierat" (aproximativ 20-25 de secunde) atunci când compresorul de aer este pornit fără presiune în rezervor.

Reglarea presiunii

Presiunea de ieșire este reglată de regulatorul de presiune. Ridicați și rotiți butonul în sensul acelor de ceasornic pentru a crește presiunea și în sens invers acelor de ceasornic pentru a o reduce. Împingeți butonul în jos pentru a-l bloca în poziția dorită. Pentru a determina presiunea de lucru corectă pentru orice piesă de echipament, verificați manualul corespunzător sculei dumneavoastră.

Atunci când compresorul nu este utilizat, setați presiunea reglată la zero pentru a evita deteriorarea regulatorului de presiune.

AVERTISMENT: Dacă motorul nu se întrerupe și nu se oprește, ci funcționează continuu atunci când se utilizează un aparat de aer comprimat, este posibil ca capacitatea compresorului să fie prea mică pentru echipamentul sau unealta respectivă.

Manometrul indică presiunea din interiorul rezervorului principal și NU presiunea furnizată echipamentului pneumatic (unealtă pneumatică). Dacă presiunea din rezervorul principal depășește presiunea maximă de deconectare prestabilită, se va activa o supapă de siguranță. Din acest motiv NU modificați sau reglați comutatorul sau supapa de siguranță.

Atunci când compresorul nu este utilizat, acesta trebuie oprit, deconectat de la sursa de alimentare și aerul trebuie extras din rezervor.



Depanare în		
DEFECȚIUNE	CAUZĂ	REMEDIE
Presiunea din rezervor scade continuu.	Scurgere de aer, verificați toate conexiunile.	Localizați și remediați scurgerile. Rulați compresorul la presiune maximă, apoi opriți-l și deconectați-l. Periați o soluție de apă cu săpun peste conexiuni și căutați bule. Strângeți toate conexiunile care prezintă scurgeri. Dacă problema persistă, contactați un agent de service autorizat.
Presiunea din rezervor nu se va acumula.	Supapa de golire este deschisă.	Închideți supapa de golire a rezervorului.
Compresorul nu se va opri. Supapa de siguranță explodează. Compresorul nu se oprește atunci când este atinsă presiunea maximă.	Presostatul nu reușește să oprească motorul. Presostat defect.	Contactați un agent de service autorizat.
Presiunea din rezervor nu se acumulează, iar pompa se încălzește mai mult decât în mod normal, aspirația de intrare este slabă.	Garnitura de etanșare a capului compresorului sau placa de supape este defectă. Defecțiune la filtrul de aer.	Contactați un agent de service autorizat. Verificați, curățați și înlocuiți filtrul de aer, după caz.
Există o scurgere de la baza presostatului atunci când compresorul funcționează.	Defectarea supapei de suprapresiune. (Situată la baza presostatului).	Contactați un agent de service autorizat.
Există o scurgere de la baza presostatului atunci când compresorul este oprit.	Supapa de reținere (de la rezervor) prezintă scurgeri.	Demontați și curățați, dacă este necesar înlocuiți inserția supapei. Contactați agentul de service autorizat.
Compresorul este zgomotos, cu zgomote metalice.	Problemă de rulment sau de piston.	Opriți compresorul și contactați un tehnician de service specializat.
Compresorul sună ca și cum ar încerca să pornească (motorul scoate un zgomot de bâzâit).	Presiunea aerului reținută pe piston se opune efortului de pornire. Condensator defect sau defecțiune la motorul electric.	Opriți și porniți unitatea o aia folosind comutatorul de presiune. Acest lucru va ventila aerul din tubul de refluxare. Opriți compresorul și contactați un tehnician de service specializat.
Înterupătorul de suprasarcină este activat.	Este posibil ca sarcina de pornire să fi activat întrerupătorul de suprasarcină. Cablul de prelungire este prea lung (dacă este utilizat). Descărcătorul de cap nu funcționează	Lăsați-l câteva minute, apoi apăsați butonul de resetare și reporniți. Îndepărtați cablul prelungitor și testați compresorul, conectând compresorul cât mai aproape posibil de cutia principală de siguranțe. Opriți compresorul și contactați un tehnician de service specializat.
Există scurgeri de aer din supapa de siguranță la presiuni mai mici de 8 bar.	Supapa de siguranță este defectă.	Înlocuiți supapa de siguranță.
Compresorul se oprește și nu repornește.	Pană de curent. Defecțiune a motorului.	Verificați alimentarea electrică și siguranța. Contactați un agent de service autorizat.

Întreținere

Înainte de a încerca să efectuați orice operațiune de întreținere a compresorului, asigurați-vă de următoarele:

1. Întrerupătorul principal de alimentare este dezactivat, iar echipamentul este izolat de la rețeaua de alimentare.
2. Comutatorul de presiune și comutatoarele unității de control sunt toate în poziția OFF.
3. Toată presiunea a fost eliminată din rezervorul de aer.

Operațiuni de întreținere

1. Întrerupeți alimentarea cu energie electrică înainte de a întreține sau deconecta orice componentă a compresorului.
2. Așezați aparatul într-un loc uscat și curat, bine ventilat.
3. Poziționați aparatul într-un loc nivelat și păstrați-l izolat de obiectele din jur cu cel puțin 100 cm.
4. Verificați dacă rotația se face în direcția corectă indicată de săgeată.

Procedura	Zilnic/săptămânal	100 ore	200 ore	400 ore
Verificați nivelul de ulei al pompei	•			
Scurgeți apa de condens din rezervor	•			
Verificați dacă există zgomote și vibrații neobișnuite	•			
Inspectați echipamentul pentru scurgeri de aer	•			
Verificați filtrele de aer		•		
Înlocuiți filtrele de aer			•	
Curățenie generală	•			
Verificați supapa de siguranță		•		
Verificați și strângeți toate șuruburile		•		
Verificați fittingurile tuburilor și conexiunile electrice				•
Pompă de service / motor				•
Inspekția internă și externă a rezervorului				•
Înlocuiți uleiul				•

Zilnic

- Asigurați-vă că nivelul uleiului din carterul motor este în limita indicatorului de ulei.
- Scurgeți recipientul cel puțin o dată pe zi.
- Verificați dacă există sunete sau vibrații neobișnuite în timpul funcționării aparatului.
- Verificați dacă există vreo temperatură ridicată neregulată în timpul funcționării unității.

Săptămânal

- Curățați sau înlocuiți partea de inserție a dispozitivului de curățare, dacă este necesar.
- Verificați funcționarea supapei de siguranță trăgând veriga de suspensie.
- Verificați funcționarea supapei de presiune și a supapei de descărcare.

De sezon

- Verificați dacă există fittinguri sau șuruburi slăbite.
- Schimbați uleiul după 500 de ore de lucru.
- Verificați tensiunea curelei.

Verificarea / curățarea filtrului de aer

Asigurați-vă că compresorul este oprit și deconectat de la sursa de alimentare.

Lăsați pompa compresorului și alte piese să se răcească (dacă schimbați filtrul după utilizare).

Deșurubați partea superioară a filtrului de la baza filtrului prin rotirea (în general) în sens invers acelor de ceasornic (direcția poate varia în funcție de filtru).

Separați capacul superior al filtrului de bază.

Scoateți elementul filtrant din baza filtrului.

Suflați praful și resturile din elementul filtrant.

Înlocuiți elementul filtrului de aer dacă este necesar.

Reconectați partea superioară a filtrului la bază și fixați filtrul.

Schimbarea/umplerea uleiului pentru pompa compresorului

Asigurați-vă că compresorul este oprit și deconectat de la sursa de alimentare.

Lăsați pompa compresorului și alte piese să se răcească (dacă schimbați uleiul după utilizare).

Asigurați-vă că compresorul se află pe o suprafață plană și nivelată.

Îndepărtați capacul / bușonul de umplere și așezați recipientul de colectare sub capacul de scurgere a uleiului

Îndepărtați capacul de scurgere a uleiului și lăsați uleiul să se scurgă.

Înlocuiți capacul de ulei și asigurați-vă că strângeți bine această piuliță (puteți folosi puțină bandă PTFE pe filet pentru a ajuta la crearea unei etanșeități mai strânse înainte de strângere).

Umpleți rezervorul de ulei cu un ulei de compresor compatibil.

EL

Τα ηλεκτρικά εργαλεία έχουν κατασκευαστεί με αυστηρά πρότυπα που έχει θέσει η εταιρεία και συνάδουν με τα ευρωπαϊκά πρότυπα ποιότητας. Για τα ηλεκτρικά εργαλεία της εταιρείας μας παρέχεται περίοδος εγγύησης 24 μηνών για ερασιτεχνική χρήση, 12 μηνών για επαγγελματική χρήση και 6 μηνών για τις μπαταρίες. Η ισχύς της εγγύησης ξεκινά από την ημερομηνία αγοράς του προϊόντος. Αποδεικτικό του δικαιώματος της εγγύησης αποτελεί το παραστατικό αγοράς του εργαλείου (απόδειξη λιανικής ή τιμολόγιο). Σε καμία περίπτωση η εταιρεία δεν καλύπτει τη σχετική δαπάνη ανταλλακτικών και εργασιών εάν και εφόσον δε συνοδεύεται από αντίγραφο του παραστατικού αγοράς. Σε περίπτωση που η επισκευή πρέπει να γίνει στο service μας η δαπάνη μεταφοράς (από και προς) βαρύνει εξ' ολοκλήρου τον αποστολέα. Τα εργαλεία αποστέλλονται για την επισκευή τους στην εταιρεία ή σε εξουσιοδοτημένο συνεργείο με τον ενδεδειγμένο τρόπο και μέσο μεταφοράς.

ΕΞΑΙΡΕΣΕΙΣ ΚΑΙ ΠΕΡΙΟΡΙΣΜΟΙ ΤΗΣ ΕΓΓΥΗΣΗΣ:

- 1) Ανταλλακτικά που φθείρονται φυσιολογικά από τη χρήση τους (καρβουνάκια, καλώδιο, διακόπτες, φορτιστές, τσοκ κ.λ.π).
- 2) Εργαλεία που έχουν υποστεί ζημιές από τη μη συμμόρφωση με τις οδηγίες του κατασκευαστή.
- 3) Εργαλεία με ελλιπή συντήρηση.
- 4) Χρήση μη ενδεδειγμένων λιπαντικών ή εξαρτημάτων.
- 5) Εργαλεία που έχουν δοθεί χωρίς επιβάρυνση.
- 6) Βλάβη που οφείλεται σε ηλεκτρική σύνδεση σε τάση διαφορετική από την αναγραφόμενη στην πινακίδα συσκευής.
- 7) Σύνδεση σε μη γειωμένο ρευματοδότη.
- 8) Μεταβολή της τάσης του ρεύματος.
- 9) Βλάβη που προκύπτει από τη χρήση αλμυρού νερού (π.χ πλυστικά, αντλίες).
- 10) Βλάβη ή κακή λειτουργία που έχει προκύψει από πλημμελή καθαρισμό του εργαλείου.
- 11) Επαφή του εργαλείου με χημικά, ή βλάβη από υγρασία, διάβρωση.
- 12) Εργαλεία που έχουν υποστεί τροποποιήσεις – αλλαγές ή έχουν ανοιχτεί από μη εξουσιοδοτημένο συνεργείο.
- 13) Εργαλεία που χρησιμοποιούνται για ενοίκιαση.

Η εγγύηση καλύπτει αποκλειστικά τη δωρεάν αντικατάσταση του εξαρτήματος που έχει κατασκευαστικό ελάττωμα ή αστοχία υλικού. Σε περίπτωση έλλειψης ανταλλακτικού η εταιρεία διατηρεί το δικαίωμα αντικατάστασης του εργαλείου με άλλο αντίστοιχο μοντέλο. Μετά τη διεκπεραίωση εγγύησης δεν επιμηκύνεται ούτε ανανεώνεται ο χρόνος εγγύησης του εργαλείου. Αντικατάσταση ανταλλακτικού με χρέωση επισκευής, καλύπτεται από 1 χρόνο εγγύησης καλής λειτουργίας, με προϋπόθεση την τήρηση των όρων εγγύησης. Τα ανταλλακτικά ή τα εργαλεία τα οποία αντικαθίστανται παραμένουν στην κατοχή της εταιρείας μας. Άλλες απαιτήσεις, εκτός από αυτές που αναφέρονται σε αυτό το έντυπο εγγύησης επισκευής ή βλαβών ηλεκτρικών εργαλείων, δεν ισχύουν. Για την εγγύηση αυτή ισχύει το ελληνικό Δίκαιο.

EN

The power tools have been manufactured according to strict standards, set by our company, which are aligned with the respective European quality standards. The power tools of our company are provided with a warranty period of 24 months for non-professional use, 12 months for professional use and 6 months for batteries. The warranty is valid from the date of purchase of the product. Proof of the warranty right is the purchase document of the tool (retail receipt or invoice). Under no circumstances shall the company cover the relevant cost of spare parts and respective required working hours unless a copy of the purchase document is presented. In case the repair has to be done by our service department the cost of transportation (to and from) is entirely borne by the sender (client). The tools must be sent for repair to the company or to an authorized workshop in the appropriate way and means of transport.

WARRANTY EXEMPTIONS AND RESTRICTIONS:

- 1) Spare parts that wear out naturally as a consequence of being used (brushes, cables, switches, chargers, chokes etc.).
- 2) Tools damaged as a result of non-compliance with the instructions of the manufacturer.
- 3) Tools poorly maintained.
- 4) Use of improper lubricants or accessories.
- 5) Tools given to third entities free of charge.
- 6) Damage due to an electrical connection at a voltage other than that indicated on the appliance plate.
- 7) Connection to a non-earthed power supply.
- 8) Change in current voltage.
- 9) Damage resulting from the use of salty water (e.g., washing machines, pumps).
- 10) Damage or malfunction resulting from improper cleaning procedure of the tool.
- 11) Contact of the tool with chemicals, or damage as a result of moisture or corrosion.
- 12) Tools that have been modified or opened by unauthorized personnel.
- 13) Tools used for rent.

The warranty covers only the free of charge replacement of the component that presents a manufacturing defect or material failure. In case of lack of a specific spare part the company reserves the right to replace the tool with another corresponding model. After all warranty procedures have been concluded, the warranty period of the tool shall not be extended or renewed. Replacement of a spare part with repair charge is covered by a 1 year warranty of good operation, subject to compliance with the warranty terms. The spare parts or tools that are replaced remain in the possession of our company. Requirements, other than those mentioned in this warranty form, regarding power tools repair or damage thereof, do not apply. Greek law and relative regulations apply to this warranty.

FR

Les outils électriques sont fabriqués selon des normes strictes, établies par notre société et se sont alignées sur les normes de qualité européennes respectives. Les outils électriques de notre société sont bénéficiés d'une garantie de 24 mois pour une utilisation non professionnelle, 12 mois pour une utilisation professionnelle et de 6 mois pour les batteries. La garantie est valable à partir de la date d'achat du produit. La preuve du droit à la garantie est le document d'achat de l'outil (ticket de caisse ou facture). En aucun cas, l'entreprise ne couvrira le coût des pièces de rechange et des heures de travail nécessaires si une copie du document d'achat n'est pas présentée. Si la réparation doit être effectuée par notre service après-vente, les frais de transport (aller- retour) sont entièrement à la charge de l'expéditeur (client). Les outils doivent être envoyés pour réparation à l'entreprise ou à un atelier agréé de la manière et avec le moyen de transport appropriée.

EXEMPTIONS ET RESTRICTIONS DE GARANTIE:

- 1) Les pièces de rechange qui s'usent naturellement suite à leur utilisation (balaise, câbles, interrupteurs, chargeurs, etc.).
- 2) Les outils endommagés à la suite du non-respect des instructions du fabricant.
- 3) Outils mal entretenus.
- 4) Utilisation de lubrifiants ou d'accessoires inappropriés.
- 5) Outils donnés à des tiers à titre gratuit.
- 6) Dommages dus à un mauvais branchement électrique ou à une tension différente de celle indiquée sur la plaque de l'appareil.
- 7) Connexion à une alimentation électrique non reliée à la terre.
- 8) Fluctuation de la tension inacceptable.
- 9) Dommages résultant de l'utilisation d'eau salée (par exemple, machines à laver, pompes).
- 10) Dommages ou dysfonctionnement résultant d'une procédure de nettoyage inadéquate de l'appareil.
- 11) Contact de l'outil avec des produits chimiques, ou dommages résultant de l'humidité ou de la corrosion.
- 12) Les outils qui ont été modifiés ou ouverts par du personnel non autorisé.
- 13) Les outils utilisés à location.

La garantie couvre uniquement le remplacement gratuit du composant qui présente un défaut de fabrication ou une défaillance matérielle. En cas d'absence d'une pièce de rechange spécifique, l'entreprise se réserve le droit de remplacer l'outil par un autre modèle correspondant. Après la conclusion de toutes les procédures de garantie, la période de garantie de l'outil ne sera pas prolongée ou renouvelée. Le remplacement d'une pièce de rechange, ainsi que les frais de réparation, sont couverts par une garantie de bon fonctionnement d'un an, sous réserve du respect des conditions de garantie. Les pièces de rechange ou les outils remplacés restent en possession de notre société. Les exigences, autres que celles mentionnées dans ce formulaire de garantie, concernant la réparation des outils électriques ou leur endommagement, ne sont pas applicables. La loi grecque et ses règlements s'appliquent à cette garantie.

IT

Gli elettrodomestici sono stati fabbricati secondo gli standard rigorosi, stabiliti dalla nostra azienda, che sono allineati con i rispettivi standard di qualità europei. Gli elettrodomestici della nostra azienda sono forniti con un periodo di garanzia di 24 mesi per uso non professionale, 12 mesi per uso professionale e 6 mesi per le batterie. La garanzia è valida dalla data di acquisto del prodotto. La prova del diritto di garanzia è il documento di acquisto dell'utensile (scontrino o fattura). In nessun caso l'azienda coprirà il relativo costo dei pezzi di ricambio e delle rispettive ore di lavoro necessarie se non viene presentata una copia del documento di acquisto. Nel caso in cui la riparazione debba essere effettuata dal nostro servizio di assistenza, il costo del trasporto (da e per) è interamente a carico del mittente (cliente). Gli utensili devono essere inviati per la riparazione all'azienda o ad un'officina autorizzata nel modo e nel mezzo di trasporto appropriato.

ECCEZIONI E LIMITAZIONI ALLA GARANZIA:

- 1) Pezzi di ricambio che si deteriorano naturalmente con l'uso (pezzi di consumo).
- 2) Utensili danneggiati dal mancato rispetto delle istruzioni del produttore.
- 3) Strumenti con manutenzione insufficiente.
- 4) Uso di lubrificanti o parti inappropriate.
- 5) Strumenti dati gratuitamente.
- 6) Guasto dovuto a un collegamento dell'aria compressa a una pressione diversa da quella indicata sulla targhetta dei dati tecnici.
- 7) Danni derivanti dall'uso di aria compressa impura e non filtrata.
- 8) Danni o malfunzionamenti derivanti da una pulizia inadeguata dell'utensile.
- 9) Contatto dell'utensile con prodotti chimici, o danni da umidità, corrosione.
- 10) Strumenti che hanno subito modifiche - cambiamenti o sono stati aperti da un'officina non autorizzata.
- 11) Strumenti utilizzati per il noleggio.
- 12) Strumenti che sono stati modificati o aperti da personale non autorizzato.
- 13) Strumenti utilizzati per il noleggio.

La garanzia copre solo la sostituzione gratuita del componente che presenta un difetto di fabbricazione o di materiale. In caso di mancanza di un pezzo di ricambio specifico, l'azienda si riserva il diritto di sostituire l'utensile con un altro modello corrispondente. Una volta concluse tutte le procedure di garanzia, il periodo di garanzia dell'utensile non potrà essere esteso o rinnovato. La sostituzione di un pezzo di ricambio, insieme al costo della riparazione, è coperta da una garanzia di buon funzionamento di 1 anno, a condizione che vengano rispettati i termini della garanzia. I pezzi di ricambio o gli utensili che vengono sostituiti rimangono in possesso della nostra azienda. I requisiti, diversi da quelli menzionati in questo modulo di garanzia, riguardanti la riparazione di utensili elettrici o il loro danneggiamento, non si applicano. La legge greca e i relativi regolamenti si applicano a questa garanzia.

AL

Mjetet e energjisë janë prodhuar sipas standardeve strikte, të vendosura nga kompania jonë, të cilat janë në përputhje me standardet respektive evropiane të cilësisë. Mjetet e energjisë të kompanisë sonë janë siguruar me një periudhë garancie prej 24 muajsh për përdorim jo profesional, 12 muaj për përdorim profesional dhe 6 muaj për bateritë. Garancia është e vlefshme nga data e blerjes së produktit. Prova e së drejtës së garancisë është dokumenti i blerjes së mjetit (faturë ose faturë me pakicë). Në asnjë rrethanë ndërmarrja nuk mbulon koston përkatëse të pjesëve të këmbimit dhe orarin përkatës të kërkuar të punës, përveç kur është paraqitur një kopje e dokumentit të blerjes. Në rast se riparimi duhet të bëhet nga departamenti ynë i shërbimit kostoja e transportit (për dhe nga) është tërësisht e mbajtur nga dërguesi (klienti). Mjetet duhet të dërgohen për riparim në ndërmarrje ose në një punishte të autorizuar në mënyrën dhe mjetet e duhura të transportit.

PËRJASHTIMET DHE KUFIZIMET E GARANCISË:

- 1) Pjesët rezervë që përdoren në mënyrë natyrale si pasojë e përdorur (furçat, kabllot, ndërruesit, karikuesit, mbytjet etj.).
- 2) Veglat e dëmtuara si rezultat i mosrespektimit të udhëzimeve të prodhuesit.
- 3) Mjetet e mbajtura keq.
- 4) Përdorimi i lubrifikantëve ose aksesoreve të papërshtatshëm.
- 5) Mjetet që u jepen enteve të treta pa pagesë.
- 6) Dëmtimi për shkak të një lidhje elektrike në një tension tjetër nga ai i treguar në pllakën e pajisjes.
- 7) Lidhja me furnizimin me energji jo tokësore.
- 8) Ndryshimi i tensionit aktual.
- 9) Dëmtimet që vijnë si pasojë e përdorimit të ujit të kripur (p.sh., lavatrice, pompa).
- 10) Dëmtimi ose mosfunksionimi që rezultojn nga procedura e papërshtatshme e pastrimit të mjetit.
- 11) Kontakti i mjetit me kimikate, ose dëmtimi si pasojë e lagështisë ose korrozionit.
- 12) Mjete që janë modifikuar ose hapur nga personel i paautorizuar.
- 13) Veglat e përdorura për qira.

Garancia mbulon vetëm zëvendësimin pa pagesë të komponentit që paraqet një defekt prodhues ose dështim material. Në rast të mungesës së një pjese rezervë specifike kompania rezervon të drejtën për të zëvendësuar mjetin me një model tjetër përkatës. Pasi të jenë përfunduar të gjitha procedurat e garancisë, periudha e garancisë së mjetit nuk do të zgjatet ose të rinovohet. Zëvendësimi i një pjese rezervë, së bashku me ngarkesën e riparimit, mbulohet nga një garanci veprimi e mirë 1 vit, subjekt i përputhjes me kushtet e garancisë. Pjesët e këmbimit ose mjetet që zëvendësohen mbeten në zotërim të kompanisë sonë. Kërkesat, përveç atyre të përmendura në këtë formë garancie, në lidhje me riparimin ose dëmtimin e mjeteve të energjisë elektrike, nuk zbatohen. Ligji grek dhe rregullat relative zbatohen për këtë garancia.

SRB

Električni alati su proizvedeni prema strogim standardima koje je postavila naša kompanija a koji su usklađeni sa odgovarajućim evropskim standardima kvaliteta. Električni alati naše kompanije imaju garantni rok od 24 meseca za neprofesionalnu upotrebu, 12 meseci za profesionalnu upotrebu i 6 meseci za baterije. Garancija važi od dana kupovine proizvoda. Dokaz za pravo na garanciju je dokument o kupovini električnog alata (maloprodajni račun ili faktura). Ni pod kojim okolnostima kompanija neće pokriti relevantne troškove rezervnih delova i potrebno odgovarajuće radno vreme ako se ne predoči kopija dokumenta o kupovini. U slučaju da popravku treba da uradi naš servis, troškove transporta (do i od) u potpunosti snosi pošiljalac (klijent). Električni alati za popravku se šalju u firmu gde su kupljeni ili u ovlašćeni servis i to tako da budu prikladno upakovani za transport.

IZUZECI I OGRANIČENJA GARANCIJE:

- 1) Rezervni delovi koji se prirodno troše kao posledica korišćenja (četkice, kablovi, prekiđači, punjači, prigušnice itd).
- 2) Alati oštećeni kao posledica nepoštovanja uputstva proizvođača.
- 3) Alati su loše održavani.
- 4) Upotreba neodgovarajućih maziva ili pribora.
- 5) Alati su dati trećim licima besplatno.
- 6) Oštećenje usled električnog priključka na napon koji nije naznačen na pločici uređaja.
- 7) Povezivanje na neuzemljeno napajanje.
- 8) Promena napona struje.
- 9) Oštećenja nastala upotrebom slane vode (npr. mašine za pranje veša, pumpe).
- 10) Oštećenje ili kvar nastao kao posledica nepravilne procedure čišćenja alata.
- 11) Kontakt alata sa hemikalijama ili oštećenje usled vlage ili korozije.
- 12) Alati koje je modifikovalo ili otvorilo neovlašćeno osoblje.
- 13) Alati koji se koriste za iznajmljivanje.

Garancija pokriva samo besplatnu zamenu komponente koja ima fabričku grešku ili materijalne nedostatke. U slučaju nedostatka rezervnog dela, kompanija zadržava pravo zamene električnog alata drugim odgovarajućim modelom. Nakon isteka garantnog roka, garantni rok električnog alata se ne produžava niti obnavlja. Rezervni delovi ili Električni alati koji su zamenjeni ostaju u posedu naše kompanije. Zamena rezervnog dela, zajedno sa naplatom popravke, pokrivena je garancijom za 1 godinu dobrog rada, koja podleže poštovanju uslova garancije. Zahtevi, osim onih navedenih u ovom obrascu garancije, u vezi sa popravkom električnog alata ili njegovim oštećenjem ne važe. Na ovu garanciju se primenjuju grčki zakoni i odgovarajući propisi.

EN WARRANTY

This appliance is a quality product. It was designed in compliance with current technical standards and made carefully using normal, good quality materials. The warranty period is 24 months for non-professional use and 12 months for professional use and commences on the date of purchase, which can be verified by the receipt, invoice or delivery note. During this warranty period all functional errors, which, despite the careful treatment described in our operating manual, are verifiably due to material flaws, will be rectified by our after-sales service staff. The warranty takes the form that defective parts will be repaired or replaced with perfect parts free of charge at our discretion. Replaced parts will become our property. Repair work or the replacement of individual parts will not extend the warranty period nor will it result in a new warranty period being commenced for the appliance. No separate warranty period will commence for spare parts that may be used. We cannot offer a warranty for damage and defects on appliances or their parts caused by the use of excessive force, improper treatment and servicing. This also applies for failures to comply with the operating manual and the installation or spare and accessory parts that are not included in our range of products. In the event of interference with or modifications to the appliance by unauthorized persons, the warranty will be rendered void. Damages that are attributable to improper handling, over loading, or natural wear and tear are excluded from the guarantee. Damages caused by the manufacturer or by a material defect will be corrected at no charge by repair or by providing spare parts. The prerequisite is that the equipment is handed over assembled, and complete with the proof of sale and guarantee. For a guarantee claim, only use the original packaging. That way, we can guarantee quick and smooth guarantee processing. Please send us the appliances post-paid or request a Freeway sticker. Unfortunately we will be unable to accept appliances that are not postpaid. The warranty does not cover parts that are subject to natural wear and tear. If you wish to make a warranty claim, report faults or order spare parts or accessories, please contact the after-sales center: Subject to change without prior notice.

DE GARANTIE

Dieses Gerät ist ein Qualitätsprodukt. Es wurde gemäß den aktuellen technischen Standards entworfen und sorgfältig mit normalen, hochwertigen Materialien hergestellt. Die Garantiezeit beträgt 24 Monate bei nicht-professioneller Nutzung und 12 Monate bei professioneller Nutzung und beginnt mit dem Kaufdatum, was anhand von Quittung, Rechnung oder Lieferschein überprüft werden kann. Während dieser Garantiezeit werden alle Funktionsfehler, die trotz der in unserer Bedienungsanleitung beschriebenen sorgfältigen Behandlung nachweislich auf Materialfehler zurückzuführen sind, von unseren Kundendienstmitarbeitern behoben. Die Garantie besteht in der Form, dass defekte Teile nach unserem Ermessen kostenlos repariert oder durch einwandfreie Teile ersetzt werden. Ersetzte Teile werden unser Eigentum. Reparaturarbeiten oder der Austausch einzelner Teile verlängern die Garantiezeit nicht und führen nicht zu einer neuen Garantiezeit für das Gerät. Für eventuell verbrauchte Ersatzteile beginnt keine gesonderte Gewährleistungsfrist. Wir können keine Garantie für Schäden und Mängel an Geräten oder deren Teilen geben, die durch übermäßige Gewaltanwendung, unsachgemäße Behandlung und Wartung verursacht wurden. Dies gilt auch für die Nichtbeachtung der Bedienungsanleitung und der Montage- oder Ersatz- und Zubehörteile, die nicht in unserem Sortiment enthalten sind. Bei Eingriffen in die Änderung durch unbefugte Personen am Gerät erlischt die Garantie. Schäden, die auf unsachgemäße Behandlung, Überlastung oder natürliche Abnutzung zurückzuführen sind, sind von der Garantie ausgeschlossen. Schäden, die vom Hersteller oder durch einen Materialfehler verursacht werden, werden durch Reparatur oder Ersatzteillieferung kostenlos behoben. Voraussetzung ist, dass das Gerät zusammen mit dem Verkaufsbeleg und der Garantie zusammengebaut übergeben wird. Verwenden Sie für einen Garantieanspruch nur die Originalverpackung. Auf diese Weise können wir eine schnelle und reibungslose Garantieabwicklung gewährleisten. Bitte schicken Sie uns die Geräte im Nachhinein oder fordern Sie einen Freeway-Aufkleber an. Geräte, die nicht nachbezahlt werden, können wir leider nicht akzeptieren. Die Garantie erstreckt sich nicht auf Teile, die einem natürlichen Verschleiß unterliegen. Wenn Sie einen Garantieanspruch geltend machen, Fehler melden oder Ersatzteile oder Zubehör bestellen möchten, wenden Sie sich bitte an das Kundendienstcenter: Änderungen vorbehalten.

FR GARANTIE

Cet appareil est un produit de qualité. Il a été conçu conformément aux normes techniques en vigueur et fabriqué avec soin à l'aide de matériaux usuels et de qualité. La période de garantie est de 24 mois pour une utilisation non professionnelle et 12 mois pour une utilisation professionnelle et débute à la date d'achat. Elle peut être vérifiée sur le reçu, la facture ou le bon de livraison. Pendant cette période de garantie, toutes les erreurs de fonctionnement qui, malgré le traitement minutieux décrit dans notre manuel d'utilisation, sont dues à des défauts matériels, seront corrigées par notre service après-vente. La garantie prend la forme que les pièces défectueuses seront réparées ou remplacées par des pièces parfaites gratuitement à notre discrétion. Les pièces remplacées deviendront notre propriété. Les travaux de réparation ou le remplacement de pièces individuelles ne prolongeront pas la période de garantie et n'entraîneront pas le début d'une nouvelle période de garantie pour l'appareil. Aucune période de garantie séparée ne commencera pour les pièces de rechange susceptibles d'être utilisées. Nous ne pouvons pas offrir de garantie pour les dommages et les défauts des appareils ou de leurs pièces causés par l'utilisation d'une force excessive, un traitement ou un entretien inapproprié. Ceci s'applique également aux cas de non-respect du manuel d'utilisation et de l'installation ou des pièces détachées et accessoires non compris dans notre gamme de produits. En cas d'interférence avec des modifications apportées à l'appareil par des personnes non autorisées, la garantie sera annulée. Les dommages résultant d'une mauvaise manipulation, d'un chargement excessif ou d'une usure naturelle sont exclus de la garantie. Les dommages causés par le fabricant ou par un défaut matériel seront corrigés gratuitement par la réparation ou par la fourniture de pièces de rechange. La condition préalable est que le matériel soit remis assemblé et accompagné de la preuve de vente et de la garantie. Pour une demande de garantie, utilisez uniquement l'emballage d'origine. De cette manière, nous pouvons garantir un traitement rapide et sans heurts des garanties. S'il vous plaît envoyez-nous les appareils post-payés ou demandez un autocollant Freeway. Malheureusement, nous ne pourrions pas accepter les appareils non post-payés. La garantie ne couvre pas les pièces soumises à une usure naturelle. Si vous souhaitez faire une demande de garantie, signaler un défaut ou commander des pièces de rechange ou des accessoires, veuillez contacter le service après-vente: Sujet à modification sans préavis.

ESP GARANTÍA

Este aparato es un producto de calidad. Fue diseñado de acuerdo con las normas técnicas actuales y se hizo con cuidado utilizando materiales normales y de buena calidad. El período de garantía es de 24 meses para uso no profesional y de 12 meses para uso profesional y comienza en la fecha de compra, que puede verificarse mediante el recibo, la factura o la nota de entrega. Durante este período de garantía, todos los errores funcionales que, a pesar del tratamiento cuidadoso que se describen en nuestro manual de operación, son verificables debido a fallas materiales, serán corregidos por nuestro personal de servicio postventa. La garantía adquiere la forma de que las piezas defectuosas se repararán o reemplazarán con piezas perfectas de forma gratuita a nuestra discreción. Las partes reemplazadas se convertirán en nuestra propiedad. Los trabajos de reparación o el reemplazo de piezas individuales no ampliarán el período de garantía, no dará lugar a que se comience un nuevo período de garantía para el aparato. No se iniciará ningún período de garantía por separado para las piezas de repuesto que puedan ser utilizadas. No podemos ofrecer una garantía por daños y defectos en los aparatos o sus partes causados por el uso excesivo de la fuerza, el tratamiento y el servicio incorrectos. Esto también se aplica a las fallas en el cumplimiento del manual de operación y la instalación o piezas de repuesto y accesorios que no están incluidos en nuestra gama de productos. En caso de interferencia con modificaciones al aparato por parte de personas no autorizadas, la garantía quedará anulada. Los daños que son atribuibles a un manejo inadecuado, sobrecarga o desgaste natural están excluidos de la garantía. Los daños causados por el fabricante o por un defecto de material se corregirán sin costo alguno por reparación o proporcionando piezas de repuesto. El requisito previo es que el equipo se entregue ensamblado y se complete con el comprobante de venta y garantía. Para una reclamación de garantía, utilice únicamente el embalaje original. De esta manera, podemos garantizar un rápido y suave procesamiento de garantías. Por favor, envíenos los electrodomésticos con pospago o solicite una etiqueta de Freeway. Lamentablemente, no podremos aceptar aparatos que no sean de pospago. La garantía no cubre las piezas que están sujetas a desgaste natural. Si desea realizar un reclamo de garantía, informar fallas o solicitar piezas de repuesto o accesorios, comuníquese con el centro de postventa: Sujeto a cambios sin previo aviso.

IT

GARANZIA

Questo apparecchio è un prodotto di qualità. È stato progettato in conformità con le attuali norme tecniche e realizzato con attenzione utilizzando materiali normali di buona qualità. Il periodo di garanzia è di 24 mesi per uso non professionale e di 12 mesi per uso professionale e decorre dalla data di acquisto, che può essere verificata tramite ricevuta, fattura o bolla di consegna. Durante questo periodo di garanzia tutti gli errori funzionali, che, nonostante l'accurato trattamento descritto nel nostro manuale operativo, sono verificabili a causa di difetti dei materiali, verranno risolti dal nostro personale di assistenza post-vendita. La garanzia assume la forma che le parti difettose saranno riparate o sostituite con parti perfette gratuitamente a nostra discrezione. Le parti sostituite diventeranno di nostra proprietà. I lavori di riparazione o la sostituzione di singole parti non prolungheranno il periodo di garanzia, poiché non si verificherà un nuovo periodo di garanzia per l'apparecchio. Non inizierà alcun periodo di garanzia separato per i pezzi di ricambio che possono essere utilizzati. Non possiamo offrire una garanzia per danni e difetti su apparecchi o loro parti causati dall'uso di forza eccessiva, trattamento e manutenzione inadeguati. Ciò vale anche per il mancato rispetto del manuale operativo e delle parti di installazione o di ricambio e accessori non inclusi nella nostra gamma di prodotti. In caso di interferenza con modifiche che all'apparecchio da parte di persone non autorizzate, la garanzia sarà invalidata. Sono esclusi dalla garanzia i danni riconducibili a uso improprio, sovraccarico o usura naturale. I danni causati dal prodotto o da un difetto o materiale verranno corretti gratuitamente mediante riparazione o fornitura di pezzi di ricambio. Il presupposto è che l'attrezzatura sia consegnata assemblata e completa con la prova di vendita e garanzia. Per una richiesta di garanzia, utilizzare solo la confezione originale. In questo modo, possiamo garantirvi un'elaborazione della garanzia rapida e agevole. Vi preghiamo di inviarci gli elettrodomestici post-pagamento o richiedere un adesivo Freeway. Purtroppo non saremo in grado di accettare apparecchi che non sono postpagati. La garanzia non copre parti soggette a usura naturale. Se si desidera presentare una richiesta di intervento in garanzia, segnalare guasti o ordinare pezzi di ricambio o accessori, contattare il centro assistenza: soggetto a modifiche senza preavviso.

SLO

GARANCIJA

Ta aprava je kakovosten izdelek. Zasnovan je bil v skladu z veljavnimi tehničnimi standardi in skrbno izdelan z običajnimi, kakovostnimi materiali. Garancijsko obdobje je 24 mesecev za neprofesionalno uporabo in 12 mesecev za profesionalno uporabo in se začne na dan nakupa, ki ga je mogoče preveriti s potrdilom o prejemu, računom ali dobavnico. V času garancijskega roka bodo vse funkcionalne napake, ki so kljub skrbni obdelavi, opisani v naših navodilih za uporabo, preverljive zaradi materialnih napak, odpravile naše servisno osebje. Garancija prevzame obliko, da bodo okvarjeni deli po lastni presoji brezplačno popravljene ali zamenjane z brezhibnimi deli. Zamenjani deli bodo postali naša last. Popravila ali zamenjava posameznih delov ne podaljšujejo garancijskega roka, dokler ne začne veljati nova garancijska doba za napravo. Za rezervne dele, ki se lahko pojavijo, se ne bo začelo ločeno garancijsko obdobje. Ne moremo ponuditi garancije za poškodbe in napake na napravah ali njihovih delih zaradi uporabe prekomerne sile, nepravilne obdelave in servisiranja. To velja tudi za neupoštevanje navodil za uporabo in namestitve ali rezervnih delov in dodatkov, ki niso vključeni v našo paleto izdelkov. V primeru motenj v napravi s strani nepooblaščenih oseb, se garancija razveljavi. Poškodbe, ki so posledica nepravilnega ravnanja, obremenitve ali naravne obrabe, so izključene iz garancije. Poškodbe, ki jih povzroči proizvajalec ali materialna napaka, se bodo popravile ali popravile z zagotavljanjem rezervnih delov. Predpogoj je, da se oprema preda sestavljena in skupaj z dokazilom o prodaji in garancijo. Za garancijski zahtevek uporabite samo originalno embalažo. Tako lahko zagotovimo hitro in gladko obdelavo garancij. Prosimo, pošljite nam naprave po plačilu ali zahtevajte nalepko za Freeway. Na žalost ne bomo mogli sprejeti naprav, ki niso postpaid. Garancija ne zajema delov, ki so predmet naravne obrabe. Če želite vložiti zahtevek za garancijo, prijaviti napake ali naročiti nadomestne dele ali dodatno opremo, se obrnite na spodnji prodajni center: Pridržujemo si pravico do sprememb brez predhodnega obvestila.

MLT

GARANYIJA

Dan l-apparat huwa prodott ta 'kwalità. Kienet imfassla f'konformità mal-istandards tekniċi attwali u saret b'attenzjoni bl-użu ta 'materjali normali u ta' kwalità tajba. Il-perjodu tal-garanzija huwa ta '24 xahar għal użu mhux professjonali u 12-il xahar għall-użu professjonali u jibda fid-data tax-xiri, li jista' jiġi vverifikat bir-riċevuta, fattura jew nota tal-kunsinna. Matul dan il-perjodu ta 'garanzija l-iżbalji funzjonali kollha, li, minkejja t-trattament bir-reqq deskritt fil-manwal operattiv tagħna, huma verifikabbli minħabba difetti materjali, se jiġu kkoreġuti mill-istaff tagħna tas-servizz ta' wara l-bejgħ. Il-garanzija tiegħu l-forma li partijiet difettużi se jissewewew jew jiġu sostitwiti bi partijiet perfetti bla ħlas fid-diskreżjoni tagħna. Partijiet mibdula jsiru proprjetà tagħna. Ix-xogħol ta 'tiswija jew is-sostituzzjoni ta' partijiet individwali ma jestendux il-perjodu ta 'garanzija mhux se jirriżulta f'li jibda perjodu ġdid ta' garanzija għall-apparat. Ma jibda l-ebda perjodu ta 'garanzija separat għal spare parts li jistgħu jiġu ted. Ma nistgħux noffru garanzija għal ħsara u difetti fuq l-apparat jew il-partijiet tagħhom ikkawżati mill-użu ta 'forza eċċessiva, trattament mhux xieraq u manutenzjoni. Dan japplika wkoll għal nuqqasijiet ta 'konformità mal-manwal tat-thaddim u l-installazzjoni jew partijiet ta' rikambju u aċċessorji li mhumiex inkluzi fil-firxa ta 'prodotti tagħna. Fil-każ ta 'interferenza ma' modifiki fl-apparat minn persuni mhux awtorizzati, il-garanzija ssir nulla. Ħsarat li huma attribwiti għal immaniġġjar hażin, tagħbija żejda, jew xedd u kedd naturali huma esklużi mill-garanzija. Danni kkawżati mill-manifattur jew minn difett materjali se jiġu kkoreġuti mingħajr ħlas permezz ta 'tiswija jew billi jiġu pprovduti spare parts. Il-pre-rekwiżit huwa li t-tagħmir jiġi mġoddi immuntat, u komplet bil-prova tal-bejgħ u l-garanzija. Għal talba ta 'garanzija, uża biss l-imballaġġ originali. B'dan il-mod, nistgħu nigarantixxu proċessar ta 'garanzija malajr u bla xkiel. Jekk jogħġbok ibgħatilna l-appliances post-paid jew itlob stiker tal-Freeway. Sfortunatament ma nkunux nistgħu naċċettaw apparat li ma jithallasx wara. Il-garanzija ma tkoprix partijiet li huma soġġetti għal ilbies u kedd naturali. Jekk tixtieq tagħmel talba għall-garanzija, irrapporta ħsarat jew tordna spare parts jew aċċessorji, jekk jogħġbok ikkuntatt ja ċ-ċentru ta 'wara l-bejgħ: Soġġett għal bidla mingħajr avviż minn qabel.

SK

ZÁRUKA

Tento spotřebič je kvalitný výrobok. Bol navrhnutý v súlade s platnými technickými normami a opatrne používal bežné a kvalitné materiály. Záručná doba je 24 mesiacov na neprofesionálne použitie a 12 mesiacov na profesionálne použitie a začína plynúť dátumom nákupu, ktorý je možné overiť potvrdením, faktúrou alebo dodacím listom. Počas tejto záručnej lehoty všetky funkčné chyby, ktoré napriek starostlivej úprave popísanej v našom návode na obsluhu sú overiteľné z dôvodu materiálnych nedostatkov, opravia naši pracovníci popredajného servisu. Záruka má formu, že vadné časti budú opravené alebo nahradené perfektnými dielmi bezplatne podľa nášho uváženia. Nahradené diely sa stanú našimi vlastnosťami. Opravné práce alebo výmena jednotlivých dielov predĺženie záručnej lehoty nevedie k vzniku novej záručnej lehoty pre spotrebič. Za náhradné diely, ktoré môžu byť dodané, sa nezačína samostatná záručná lehota. Nemôžeme ponúknuť záruku na poškodenie a poškodenie spotrebičov alebo ich častí spôsobené nadmernou silou, nesprávnou obsluhou a servisom. Platí to aj pre poruchy v súlade s návodom na obsluhu a inštaláciou alebo náhradnými dielmi a príslušenstvom, ktoré nie sú súčasťou našej ponuky. V prípade zásahu do modifikácie spotrebiča neoprávnenými osobami sa záruka stane neplatnou. Škody, ktoré sú spôsobené nesprávnou manipuláciou, nadmerným zaťažením alebo prirodzeným opotrebovaním, sú z záruky vylúčené. Škody spôsobené výrobcom alebo chybou materiálu budú opravené bezplatne opravou alebo poskytnutím náhradných dielov. Predpokladom je, že zariadenie je odovzdané a kompletné s dokladom o predaji a zárukou. Pokiaľ ide o nárok na záruku, použite iba pôvodný obal. Týmto spôsobom môžeme zaručiť rýchle a plynulé spracovanie záruky. Pošlite nám, prosím, spotrebiče, ktoré ste už zaplatili, alebo požiadajte o nálepku Freeway. Bohužiaľ nebudeme môcť prijať zariadenia, ktoré nie sú vyplatené. Záruka sa nevzťahuje na časti, ktoré sú vystavené prirodzenému opotrebovaniu. Ak chcete požiadať o záruku, oznámiť chyby alebo objednať náhradné diely alebo príslušenstvo, obráťte sa na nižšie uvedené stredisko popredajného servisu: Podliehajú zmenám bez predchádzajúceho upozornenia.

BG ГАРАНЦИЯ

Този уред е качествен продукт. Той е проектиран в съответствие с действащите технически стандарти и е направен внимателно при използване на нормални, качествени материали. Гаранционният срок е 24 месеца за непрофесионално ползване и 12 месеца за професионална употреба и започва да тече от датата на покупката, която може да бъде потвърдена с квитанция, фактура или документ за доставка. По време на този гаранционен период всички функционални грешки, които, въпреки внимателното третиране, описано в нашето ръководство за експлоатация, са проверими поради материални недостатъци, ще бъдат отстранени от нашия сервизен персонал. Гаранцията приема формата, в която дефектните части ще бъдат ремонтирани или заменени с перфектни части безплатно по наше усмотрение. Подменените части ще станат наша собственост. Ремонтните работи или подмяната на отделни части няма да удължат гаранционния срок, без това да доведе до започване на нов гаранционен период за уреда. За резервни части, които могат да бъдат поставени, няма да започне отделен гаранционен срок. Не можем да предложим гаранция за повреди и дефекти на уредите или техните части, причинени от използването на прекомерна сила, неправилно третиране и обслужване. Това важи и за неспазване на ръководството за експлоатация и инсталацията, както и резервни и допълнителни части, които не са включени в нашата гама от продукти. В случай на намеса в модификации на уреда от неупълномощени лица, гаранцията ще бъде премахната. Щети, които се дължат на неправилно боравене, натоварване или естествено износване, са изключени от гаранцията. Щети, причинени от производителя или от дефект на материала, ще бъдат поправени без заплащане чрез ремонт или чрез предоставяне на резервни части. Предпоставка е оборудването да се съблява и да се допълни с доказателство за продажба и гаранция. За гаранционна претенция използвайте само оригиналната опаковка. По този начин можем да гарантираме бърза и гладка обработка на гаранциите. Моля, изпратете ни уредите след плащане или заявете стикер на Freeway. За съжаление няма да можем да приемем уреди, които не са с абонамент. Гаранцията не покрива части, които са обект на естествено износване. Ако желаете да направите гаранционна претенция, да съобщите за неизправности или да поръчате резервни части или аксесоари, моля свържете се с центъра за поддръжка: Подлежи на промяна без предизвестие.

RO GARANȚIE

Acest aparat este un produs de calitate. A fost proiectat în conformitate cu standardele tehnice actuale și a făcut cu atenție materiale normale, de bună calitate. Perioada de garanție este de 24 de luni pentru uz neprofesionist și de 12 luni pentru uz profesional și începe la data cumpărării, care poate fi verificată prin chitanță, factură sau buletin de livrare. În timpul acestei perioade de garanție, toate erorile funcționale, care, în ciuda tratamentului atent descris în manualul nostru de utilizare, sunt verifiabile din cauza defectelor materiale, vor fi rectificate -cate de personalul nostru de service post-vânzare. Garanția ia forma faptului că piesele defecte vor fi reparate sau înlocuite cu piese perfecte gratuit, la discreția noastră. Piesele înlocuite vor deveni proprietatea noastră. Lucrările de reparații sau înlocuirea pieselor individuale nu vor prelunge perioada de garanție, deoarece nu vor duce la începerea unei noi perioade de garanție pentru aparat. Nu se va începe nici o perioadă de garanție separată pentru piesele de schimb care pot fi incluse. Nu putem oferi o garanție pentru defecțiunile și defectele aparatelor sau ale pieselor acestora cauzate de utilizarea forței excesive, tratarea necorespunzătoare și întreținerea. Acest lucru se aplică și în caz de nerespectare a manualului de utilizare și a pieselor de instalare sau de rezervă și accesoriilor care nu sunt incluse în gama noastră de produse. În caz de interferență cu mod-uri carele aduse aparatului de către persoane neautorizate, garanția va fi anulată. Daunele care pot fi atribuite manipulării necorespunzătoare, supraîncălzirii sau uzurii naturale sunt excluse din garanție. Deteriorările cauzate de producător sau de un defect material vor fi corectate gratuit, prin reparații sau prin furnizarea de piese de schimb. Condiția prealabilă este ca echipamentul să fi predat în asamblare și să fi completat cu dovada vânzării și a garanției. Pentru o cerere de garanție, utilizați numai ambalajul original. În acest fel, putem garanta pro-cesarea rapidă și fără probleme a garanției. Trimiteți-ne aparatele post-plăți te sau solicitați un autocolant Freeway. Din păcate, nu vom putea accepta dispozitive care nu sunt plătiți te postpaid. Garanția nu acoperă piese care sunt supuse uzurii naturale. Dacă doriți să solicitați o garanție, să semnalați defecțiuni sau să comandați piese de schimb sau accesorii, vă rugăm să contactați centrul de asistență tehnică: Pot fi modificate fără o notificare prealabilă.

NMK GARANCIA

Овој уред е квалитетен производ. Дизајниран е во согласност со тековните технички стандарти и направен е внимателно со употреба на нормални, квалитетни материјали. Гарантниот период е 24 месеци за непрофесионална употреба и 12 месеци за професионална употреба и започнува на датумот на купување, што може да се потврди со потврда, фактура или испратница. За време на овој гарантен период, сите функционални грешки, кои, и покрај внимателниот третман опишан во нашето упатство за работа, се проверливи поради материјални недостатоци, ќе бидат поправени од нашиот персонал по продажбата. Гаранцијата има форма дека неисправните делови ќе бидат поправени или заменети со совршени делови бесплатно по наша дискреција. Заменетите делови ќе станат наша сопственост. Работата за поправка или замената на поединечни делови нема да го продолжи гарантниот период и нема да резултира со започнување на нов гарантен период за апаратот. Нема да започне посебен гарантен период за резервните делови што може да се тераат. Не можеме да понудиме гаранција за оштетувања и дефекти на апаратите или нивните делови предизвикани од употреба на прекумерна сила, несоодветен третман и сервисирање. Ова исто така важи и за неусогласеност со упатството за работа и инсталацијата или резервните и дополнителните делови кои не се вклучени во нашата палета на производи. Во случај на мешање на модификации на апаратот од страна на неовластени лица, гаранцијата ќе се поништи. Штетите што се припишуваат на неправилно ракување, прекумерно оптоварување или природно абеење се исклучени од гаранцијата. Штетите предизвикани од производителот или од материјален дефект ќе се коригираат бесплатно со поправка или со обезбедување резервни делови. Предуслов е опремата да биде предадена склопена, и комплетна со доказ за продажба и гаранција. За гаранција, користете го само оригиналното пакување. На тој начин, можеме да гарантираме брза и непречена обработка на гаранциите. Ве молиме испратете ни ги апаратите пост-пејд или побарајте налепница за автопат. За жал, нема да можеме да прифатиме апарати што не се постпејд. Гаранцијата не опфаќа делови кои се предмет на природно абеење и кинење. Доколку сакате да поднесете барање за гаранција, да пријавите дефекти или да нарачате резервни делови или додатоци, ве молиме контактирајте го постпродажниот центар: Може да се промени без претходна најава.

HUN GARANCIA

Ez a készülék minőségi termék. Úgy tervezték, hogy megfeleljen a jelenlegi műszaki szabványoknak, és gondosan, normál, jó minőségű anyagokkal készült. A jótállási idő nem professzionális használat esetén 24 hónap, szakmai használat esetén 12 hónap, és a vásárlás napján kezdődik, amelyet a kézhezvétellel, a számla vagy a kézbesítési értesítés igazolhat. A garanciaidő alatt minden olyan funkcionális hiba, amely az üzemeltetési utasításunkban leírt gondos kezelés ellenére bizonyíthatóan az anyagi hibák miatt következik be, a vevőszolgálatunk javítja. A garancia olyan formája, hogy a hibás alkatrészek javítása vagy cseréje a tökéletes alkatrészekkel ingyenes. A cserélt részek tulajdonunk lesz. A javítási munkák vagy az egyes részek cseréje nem hosszabbítja meg a jótállási időszakot, és nem eredményez új garanciaidő megkezdését a készülék számára. Nincs külön garanciaidő a pótalkatrészek esetén. Nem nyújtunk garanciát a készülékek vagy alkatrészeik károsodására és hibáira a túlzott erő, a helytelen kezelés és a karbantartás miatt. Ez vonatkozik az üzemeltetési utasítás és a telepítés, illetve a tartalék és tartozék alkatrészeinek meg nem felelésére is, amelyek nem tartoznak a termékínálatunkba. Abban az esetben, ha a készülék jogosulatlan személy általi módosításai zavarnak, a garancia érvényét veszti. A nem megfelelő kezelés, a terhelés vagy a természetes kopás okozta károk nem tartoznak a garancia hatálya alá. A gyártó vagy az anyaghiba által okozott károkat a javítás vagy a pótalkatrészek beszerzése nélkül kijavítják. Az előfeltétel az, hogy a berendezést összeszerelték, és az értékesítés és a garancia igazolásával kiegészüljön. A garancia igényléséhez csak az eredeti csomagolást használja. Így garantálhatjuk a gyors és zökkenőmentes garanciafeldolgozást. Kérjük, küldje el nekünk a készüléket utólag fizetett vagy kérjen Freeway matricát. Sajnos nem tudjuk elfogadni a nem utólag fizetett készülékeket. A garancia nem terjed ki a természetes kopásnak kitett alkatrészekre. Ha garanciális igényt kíván nyújtani, hibákat jelenteni vagy pótalkatrészeket vagy tartozékokat rendelni, kérjük, vegye fel a kapcsolatot az alábbi értékesítési központtal: Előzetes értesítés nélkül változhat.

POL GWARANCJA

To urządzenie jest produktem wysokiej jakości. Został zaprojektowany zgodnie z aktualnymi standardami technicznymi i wykonany starannie przy użyciu zwykłych, dobrej jakości materiałów. Okres gwarancji wynosi 24 miesiące w przypadku użytku nieprofesjonalnego i 12 miesięcy w przypadku użytku profesjonalnego i rozpoczyna się w dniu zakupu, który można zweryfikować za pomocą paragonu, faktury lub dowodu dostawy. W okresie gwarancji wszystkie błędy funkcjonalne, które pomimo starannego traktowania opisanego w naszej instrukcji obsługi, są weryfikowalne przez wady materiałowe, zostaną naprawione przez nasz personel obsługi posprzedażnej. Gwarancja ma formę, w której wadliwe części zostaną naprawione lub wymienione na części zamiennie bezpłatnie według naszego uznania. Wymienione części staną się naszą własnością. Naprawa lub wymiana pojedynczych części nie przedłuży okresu gwarancji, nie spowoduje to rozpoczęcia nowego okresu gwarancyjnego dla urządzenia. Nie rozpocznie się oddzielny okres gwarancji na części zamiennie, które mogą być używane. Nie możemy zaoferować gwarancji na uszkodzenia i usterki urządzeń lub ich części spowodowane użyciem nadmiernej siły, niewłaściwego traktowania i serwisowania. Dotyczy to również nieprzestrzegania instrukcji obsługi i instalacji lub części zamiennych i akcesoriów, które nie są zawarte w naszej ofercie produktów. W przypadku ingerencji w modyfikacje urządzenia przez osoby nieuprawnione, gwarancja zostanie unieważniona. Szkody, które można przypisać niewłaściwej obsłudze, nadmiernemu obciążeniu lub naturalnemu zużyciu, są wyłączone z gwarancji. Uszkodzenia spowodowane przez producenta lub wadę materiałową zostaną naprawione bezpłatnie przez naprawę lub przez dostarczenie części zamiennych. Warunkiem wstępnym jest przekazanie sprzętu w komplecie wraz z dowodem sprzedaży i gwarancją. W przypadku reklamacji należy używać tylko oryginalnego opakowania. W ten sposób możemy zagwarantować szybkie i płynne przetwarzanie gwarancji. Prześlij nam urządzenia post-paid lub zamów naklejkę na autostradę. Niestety nie będziemy mogli akceptować urządzeń, które nie są opłacane z dołu. Gwarancja nie obejmuje części ulegających naturalnemu zużyciu. Jeśli chcesz zgłosić roszczenie gwarancyjne, zgłośić usterki lub zamówić części zamiennie lub akcesoria, skontaktuj się z następującym centrum obsługi posprzedażnej: Zastrzega się możliwość zmian bez uprzedzenia.

ALB GARANCIA

Kjo pajisje është një produkt cilësor. Washtë hartuar në përputhje me standardet aktuale teknike dhe është bërë me kujdes duke përdorur materiale normale, me cilësi të mirë. Periudha e garancisë është 24 muaj për përdorim jo profesional dhe 12 muaj për përdorim profesional dhe fillon në datën e blerjes, e cila mund të vërtetohet me faturën, faturën ose dorëzimin. Gjatë kësaj periudhe garancie, të gjitha gabimet funksionale, të cilat, përkundër trajtimit të kujdesshëm të përkthuar në manualin tonë të funksionimit, janë verifikueshëm për shkak të metave të materialit, do të korrigjohen nga stafi ynë i shërbimit pas shitjes. Garancia merr formën që pjesët e dëmtuara do të riparohen ose zëvendësohen me pjesët të përsosura falas, sipas gjykimit tonë. Pjesët e zëvendësuara do të bëhen pronë jonë. Puna e riparimit ose zëvendësimit i pjesëve individuale nuk do të zgjasë periudhën e garancisë, por nuk do të rezultojë në fillimin e një periudhe të re garancie për pajisjen. Asnjë periudhë e veçantë e garancisë nuk do të fillojë për pjesët rezervë që mund të merren. Ne nuk mund të ofrojmë një garanci për dëmtimin dhe defektet e pajisjeve ose pjesëve të tyre të shkaktuara nga përdorimi i forcës së tepërt, trajtimi dhe shërbimi i pahijshëm. Kjo gjithashtu vlen për dështimet në përputhje me manualin e funksionimit dhe instalimin ose pjesët rezervë dhe akcesorë që nuk përfshihen në gamën tonë të produkteve. Në rast ndërhyrje në modifikimet e pajisjes nga persona të paautorizuar, garancia do të hiqet. Dëmet që mund t'i atribuohen trajtimit të pahijshëm, ngarkimit të tepërt, ose konsumit natyror, përjashtohen nga garancia. Dëmet e shkaktuara nga prodhuesi ose nga një defekt i materialit do të korrigjohen pa pagesë me riparim ose duke siguruar pjesë këmbimi. Parakushti është që pajisjet të dorëzohen të montuara, dhe të kompletuara me provën e shitjes dhe garancisë. Për një kërkesë garancie, përdorni vetëm paketimin origjinal. Në atë mënyrë, ne mund të garantojmë përpunim të shpejtë dhe të qetë të garancisë. Ju lutemi na dërgoni pajisjet me postë të paguar ose kërkoni një afishe autostradë. Për fat të keq, ne nuk do të jemi në gjendje të pranohim pajisje që nuk janë me kontratë. Garancia nuk përfshin pjesë që i nënshtrohen konsumit natyror. Nëse dëshironi të bëni një kërkesë për garanci, të raportoni gabime ose të porosisni pjesë rezervë ose pajisje, ju lutemi kontaktoni qendrën pas shitjes: Subjekti për të ndryshuar pa njëfëmijë paraprak.

HR JAMSTVO

Ovaj je uređaj kvalitetan proizvod. Dizajniran je u skladu s trenutnim tehničkim standardima i izrađen je pažljivo koristeći normalne, kvalitetne materijale. Garancijsko razdoblje je 24 mjeseca za neprofesionalnu upotrebu i 12 mjeseci za profesionalnu uporabu i započinje datumom kupnje, što se može potvrditi potvrdom primitka, računa ili dostavnice. Tijekom ovog jamstvenog razdoblja sve će funkcionalne pogreške, koje su unatoč pažljivom postupanju opisanom u našem priručniku za upotrebu provjerljivo zbog materijalnih nedostataka, otkloniti od strane našeg servisnog osoblja. Jamstvo ima oblik da će se oštećeni dijelovi besplatno popraviti ili zamijeniti savršenim dijelovima, po našem nahođenju. Zamijenjeni dijelovi postat će naše vlasništvo. Popravak ili zamjena pojedinih dijelova neće produžiti jamstveno razdoblje, jer neće rezultirati novim jamstvenim rokom za uređaj. Neće započeti zasebni jamstveni rok za rezervne dijelove koji se mogu trošiti. Ne možemo pružiti jamstvo za oštećenja i oštećenja uređaja ili njihovih dijelova uzrokovanih prekomjernom silom, nepravilnim postupanjem i servisiranjem. To se također odnosi i na neusklađivanje s uputama za uporabu i instalacijskim ili rezervnim i pomoćnim dijelovima koji nisu uključeni u naš asortiman proizvoda. U slučaju ometanja neovlaštenih osoba na izmjenama uređaja, jamstvo će se poništiti. Oštećenja koja se mogu pripisati nepravilnom rukovanju, preopterećenju ili prirodnom habanju isključena su iz jamstva. Štete uzrokovane proizvođačem ili oštećenjem materijala ispravit će se besplatnim popravkom ili osiguravanjem rezervnih dijelova. Predviđet je da se oprema preda u sastavu, zajedno s dokazom o prodaji i garancijom. Za garancijski zahtjev koristite samo originalno pakiranje. Na taj način možemo jamčiti brzu i glatku obradu jamstava. Pošaljite nam uređaje naknadno ili zatražite naljepnicu autoputa. Nažalost, nećemo biti u mogućnosti prihvatiti uređaje koji nisu pretplaćeni. Jamstvo ne obuhvaća dijelove koji su podložni prirodnom habanju. Ako želite podnijeti zahtjev za jamstvom, prijaviti kvarove ili naručiti rezervne dijelove ili pribor, molimo kontakti rajte dolje prodajni centar: Podložno promjenama bez prethodne najave.

SRB ГАРАНЦИЈА

Ovaj aparat je kvalitetan proizvod. Dizajniran je u skladu sa trenutnim tehničkim standardima i rađen pažljivo koristeći normalne, kvalitetne materijale. Garantni rok je 24 meseca. Garantni rok je 24 meseca za neprofesionalno korišćenje i 12 meseci za profesionalnu upotrebu i započinje danom kupovine, što se može verifikovati primaњem, fakturnom ili otpremnicom. Tokom ovog garantnog perioda, sve funkcionalne greške koje se, uprkos pažljivom postupanju opisanom u našem uputstvu za upotrebu, verovatno mogu proveriti zbog materijalnih nedostataka, otkloniће od strane нашег сервисног особља. Гаранција добија облик да ће се неисправни делови поправити или заменити савршеним деловима бесплатно по нашем нахођењу. Замењени делови постаће наше власништво. Поправци или замена појединих делова неће продужити гарантни рок јер неће резултирати новим гаранцијским роком за апарат. Неће почети посебан гарантни рок за резервне делове који се могу напунити. Не можемо пружити гаранцију за оштећења и оштећења уређаја или њихових делова насталих прекомерном силом, неправилним третманом и сервисирањем. Ово се такође односи и на непоштовање упутства за употребу и инсталационих или резервних и помоћних делова који нису обухваћени нашим асортиманом производа. У случају ометања модификација уређаја од стране неовлашћених особа, гаранција ће се поништити. Оштећења која се могу приписати неправилном руковању, преоптерећењу или природном хабању су искључена из гаранције. Оштећења настала од стране произвођача или оштећења материјала исправљаће се или поправљањем резервних делова бесплатно. Предуслов је да се опрема преда у саставу, заједно са доказом о продаји и гаранцијом. За захтев о гаранцији користите само оригинално паковање. На тај начин можемо гарантовати брзу и глатку обраду гаранција. Пошаљите нам уређаје накнадно или затражите налепницу са аутопута. Нажалост, нећемо бити у могућности да прихватимо уређаје који нису плаћени. Гаранција не покрива делове који су изложени природном хабању. Ако желите да поднесете захтев за гаранцијом, пријавите грешке или наручите резервне делове или додатну опрему, молимо контактирајте доњи продајни центар: Могу се променити без претходне најаве.

